

# squid FAMILY



ENGLISH

manga  
street



## TABLE OF CONTENTS

Table Squid Small .....	4-9
Squid Small assembly .....	10-11
Squid Small facts and colours .....	13
Other Manga products .....	14
About Manga .....	15





Left: "Look, the wind is blowing in the trees." Joanne is playing and Squid's bottom ring gives her a little extra height when she stands on it.

Right: 18-month-old Leah easily and nimbly crawls up on the bench, so she can also play.



#### SQUID SMALL

Squid is a charming and welcoming table. And with its soft curved lines and the opening in the bench it is an invitation for play and cosiness for both children and adults. Squid Small is suitable for children aged 2-10, but there is also room for adults at the table. This only adds to the closeness around the table. Squid is designed to be used in public spaces like kindergartens, nurseries and schools for the younger generation. And with its octopus-like legs, it is stable and forms a safe environment that creates the opportunity for many hours of play, learning and creative zest.





The table's expression changes depending on where you look at it from, which is due to the slight asymmetry of the legs at the opening of the bench. It gives the table personality and also has a vital functional significance; The opening in the bench helps those to sit down who are not sure-footed enough to swing their leg up and over the bench.

The round top bracket assembles the table, which is very practical, but it can also be part of the game, where you place a bucket of sand or bowl of fruit right in the centre for everybody to reach.





With its round shape, Squid is perfect for social interaction. And with its great strength and safe construction, adults can also sit at the table. The Squid table's restricted size increases the closeness between adults and children when they are around it. It can create cosy moments, while there is room for togetherness and closeness between children and adults, and so quality time and plenty of well-being for children.

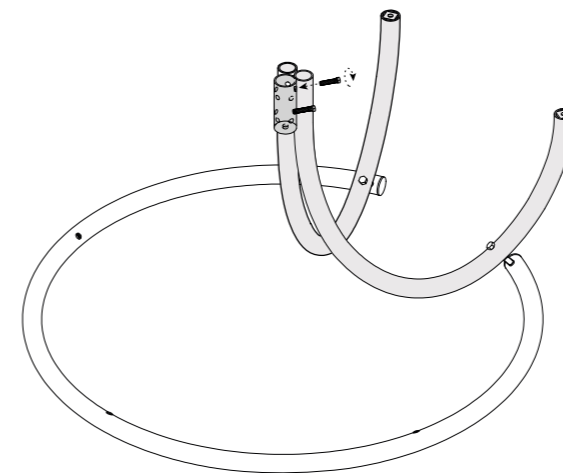
Right: Mum and Leah are engrossed in playing with acorns and leaves in the bowl. Above: 2 adults and 2 children having a cosy time playing and talking.



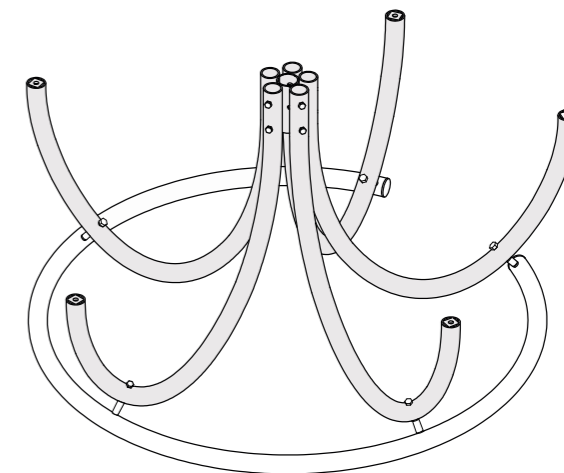
## SQUID SMALL ASSEMBLY

See the assembly instructions for assembling the table. In short, follow the illustrations below

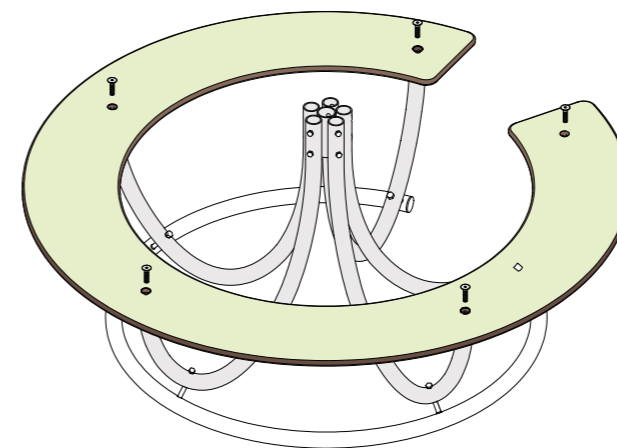
1.



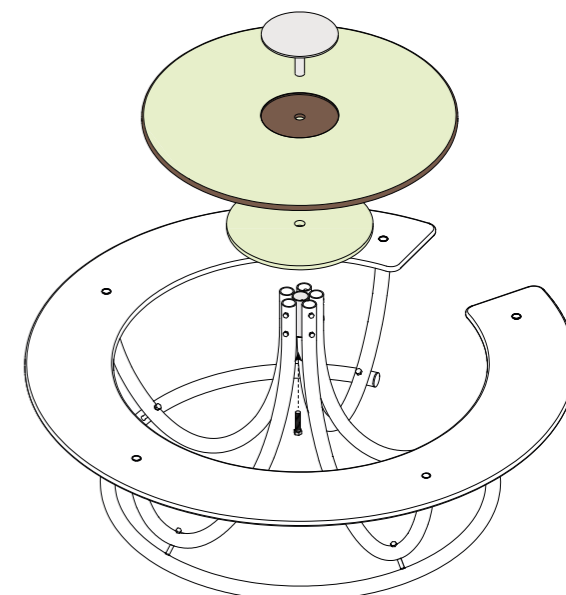
2.



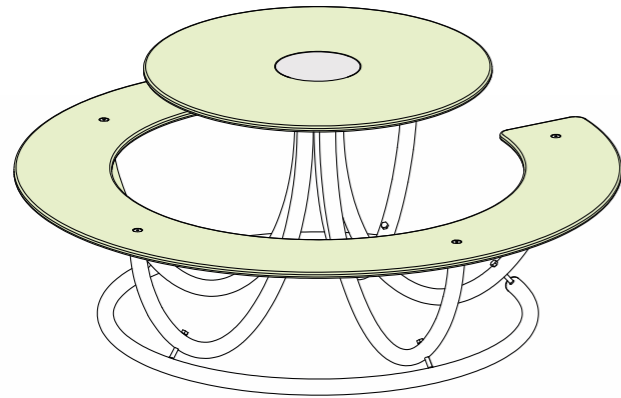
3.



4.



5.



BUY LESS  
CHOOSE WELL



#### SQUID SMALL FACTS

Squid Small weighs 45 kg when assembled.  
The table is suitable for 6-8 small children or 2 adults and 2-4 children.

The table's functionality: When the table is assembled, it requires very little maintenance. The materials have an extremely long life and are very strong. The long service life of the product increases its sustainability. The table can be taken apart easily, making it easily recyclable.

Material: The table and bench are made of high-pressure laminated sheet (HPL), which is made up of hard-pressed paper and resin. After the two components are pressed firmly together, it is an extremely hard and durable material. It is UV protected and very weather-resistant. It tolerates severe frost, snow, rain and hail, and is also very heat-resistant. Temperature range: -80 to +80 C.

Legs, guide ring, etc., are galvanised iron, which is also highly durable and resistant.  
The table can be easily cleaned with a soft brush and cloth, and if necessary, lukewarm water with a little liquid soap added.

#### SQUID SMALL COLOURS



RAL  
6019



RAL  
1015



RAL  
6034



RAL  
8017

#### SQUID IN A FIXED POSITION

Squid can be fastened with one bracket around the guide ring and fixed to a hard surface.

# SCOOP FAMILY

SQUID FAMILY can be combined with SCOOP FAMILY.



## SCOOP & SCOoPI SEAT

The Scoop series is ideal for a break, socialising and fun in urban spaces. The series can be used with the Squid table. This series consists of Scoopi Seat, which is a pouf that can be placed in different formations and together with the Scoop planter. There are two different tables as accessories to Scoopi Seat; Scoopi Table and Scoopi Table Top.



DESIGN PLUS



## ABOUT THE COMPANY

Manga Street Aps is a Danish design company owned by industrial designer Julie Storm Christensen and Kurt Christensen. Since the beginning (Storm Design from 2003), the company has received much recognition for its design and received many international design awards for its products.

## ABOUT THE PRODUCTION

To ensure that the Manga products have the quality and finish that we wish our products to have and to ensure close contact with suppliers, our products are produced in Denmark. The Manga products are made by some of the most skilled craftsmen in Denmark, who have a lot of experience making high quality design products. It also reduces the transport distance in relation to our distributors as the products are not transported from a production site, for example, in the Far East and to a warehouse in Denmark, which benefits the environment.

## ABOUT COLLABORATIONS

Manga Street places great importance on good and close collaboration. We are in favour of mutual respect and good communication and dialogue in relation to customers and business partners.

## ABOUT THE ENVIRONMENT

Manga Street strives to make as many environmentally conscious choices as possible: The plastic that we use can be reused and the inner part of Scoop is always made from black recycled plastic. This reduces CO2 emissions and saves on raw material consumption. The products are designed so that the materials are as easy as possible to dismantle or separate, so each of the materials can be recycled or given new life in other products. The products are durable and have a long life, which is also beneficial to the environment. Manga has a partnership with Trees for the future, which carries out projects where they re-plant trees in vulnerable places on the globe. We are partners in the Ocean Plastic Forum which works for the collection and recycling of plastic in the world's oceans and rivers. In addition, we are a member of the Plastics Industry's Network for Recycling Plastics.



# manga street



MANGA STREET APS  
[www.mangastreet.eu](http://www.mangastreet.eu)

Natskyggevej 30  
3390 Hundested  
Denmark

T : +45 2679 2521

Photos: Anna-Lene Riber