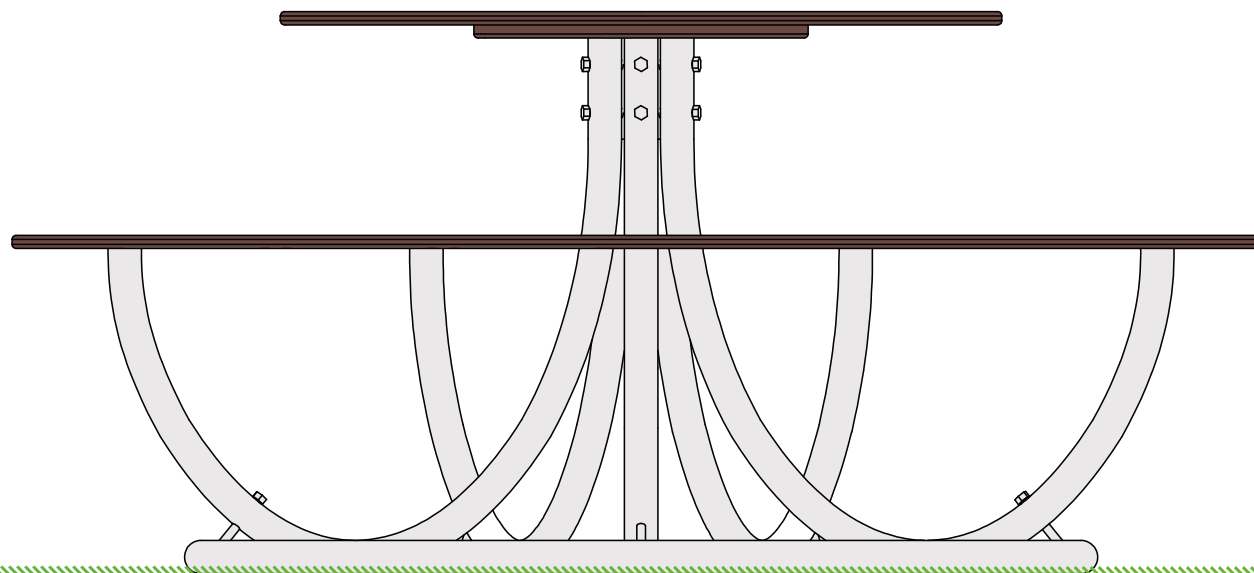


SQUID

SMALL

Table of contents

Squid Small dimensions	1
Preparation for assembling Squid Small	2
Assembling the Squid table	3-4
Squid Small care	5



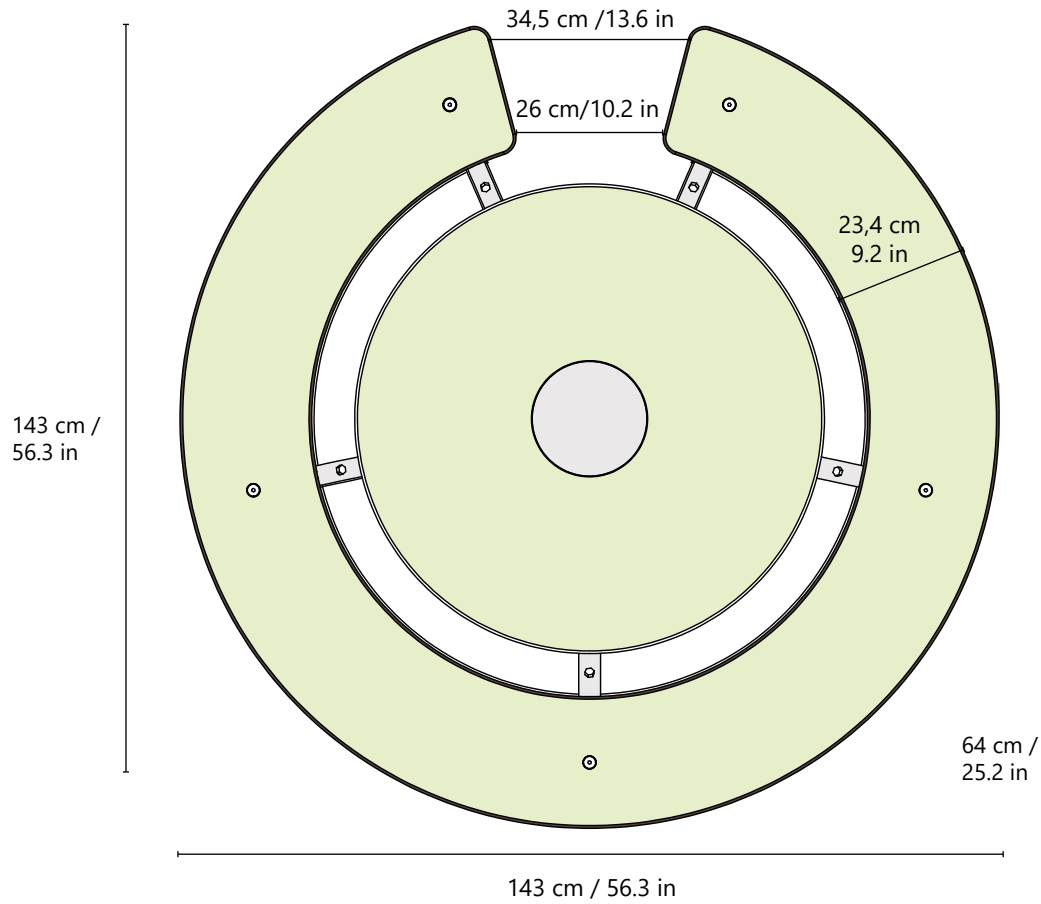
MOUNTING

SQUID

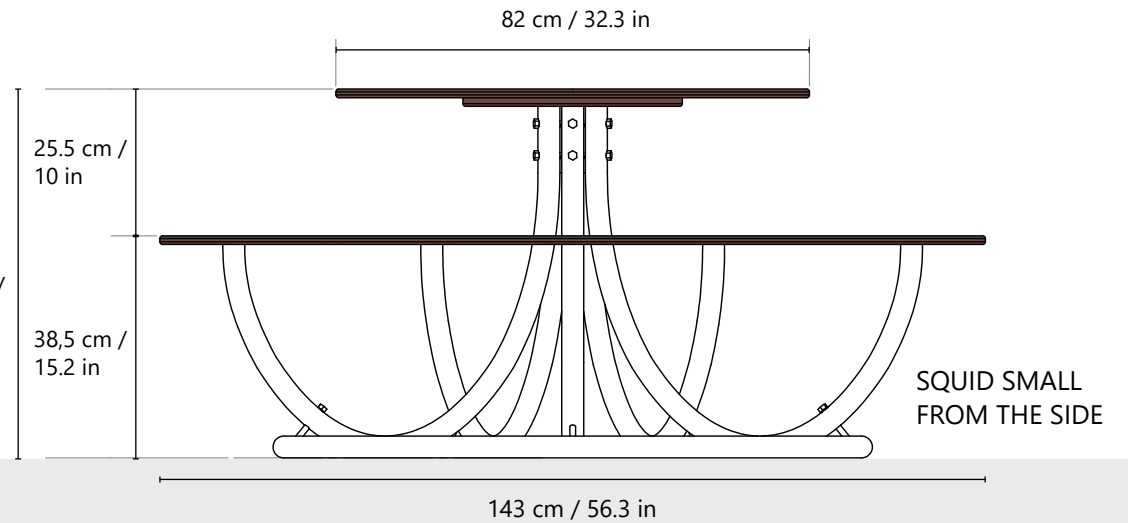
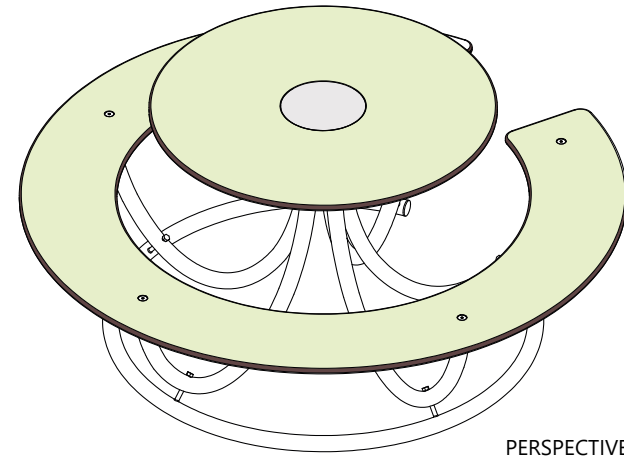
SMALL

DIMENSIONS

SQUID SMALL
FROM ABOVE



ASSEMBLED WEIGHT: 45 kg / 99 lbs



SQUID

SMALL

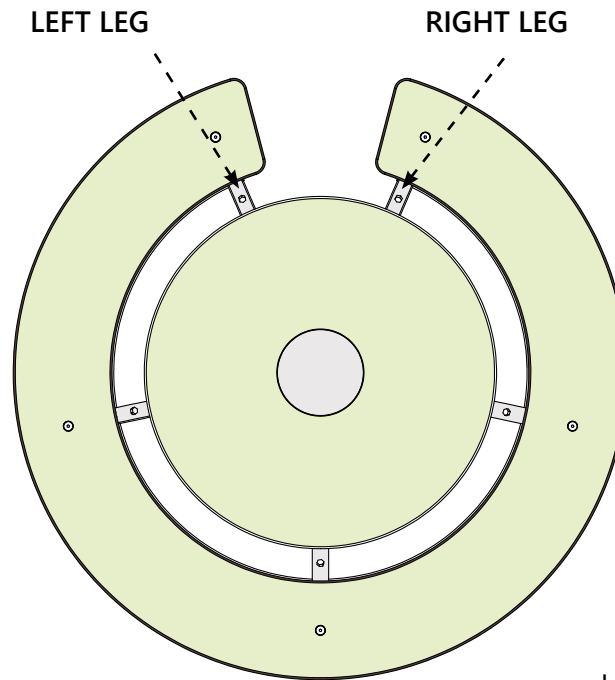
PREPARATION

1

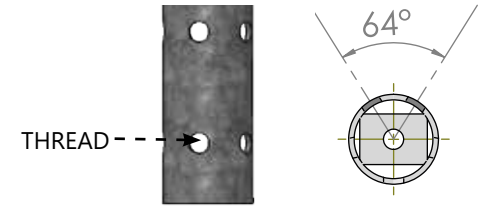
Assembly of SQUID requires at least 2 persons. Place the guide ring in the desired position. Set the three legs that are all the same aside: These legs have two holes drilled right in the centre on the top of the leg - see the illustration below.

The left leg should be attached to the left of the hole in the guide ring and the right leg attached to the right of the hole in the guide ring. (see ill. on the right)

The centre tube must be attached to the two legs: The holes closest to each other fit the two legs. See the next page for attaching the legs. If the centre tube cannot be attached, it or the legs are not positioned correctly.

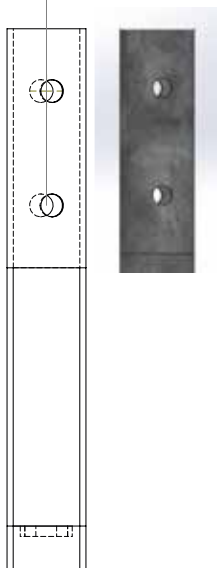


CENTRE TUBE:

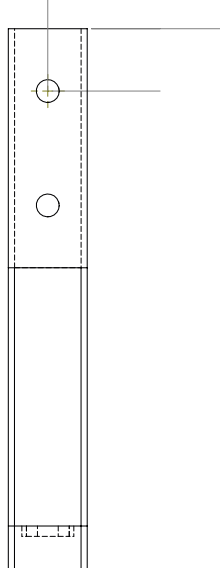


Where the holes are closest on the centre tube, the holes must be turned towards the right and left leg.

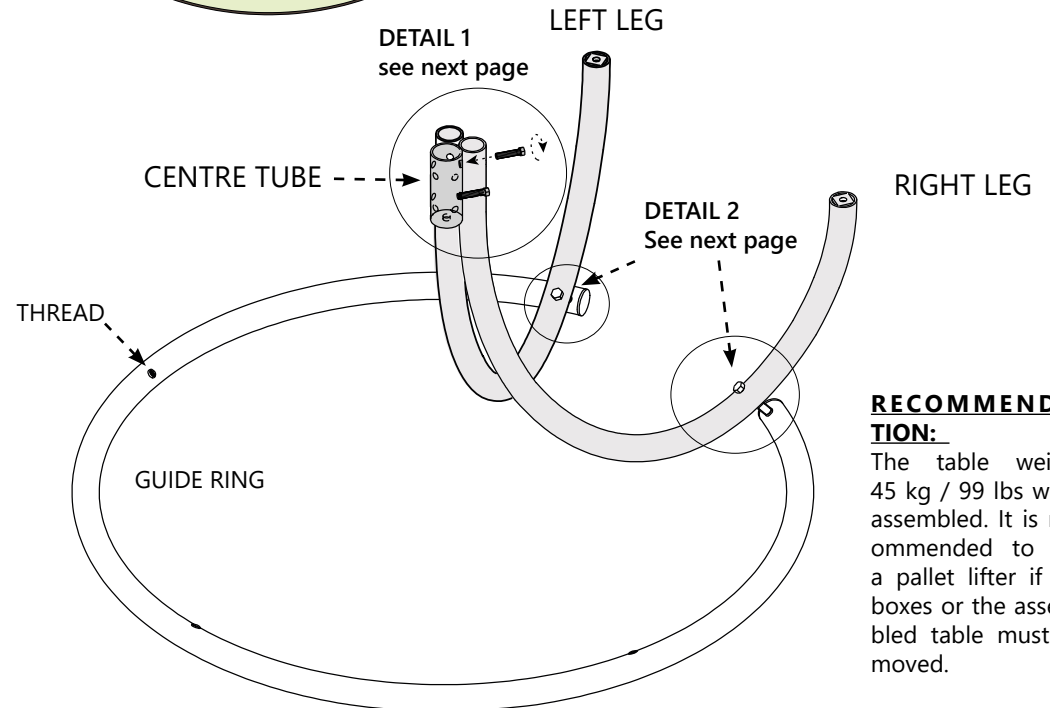
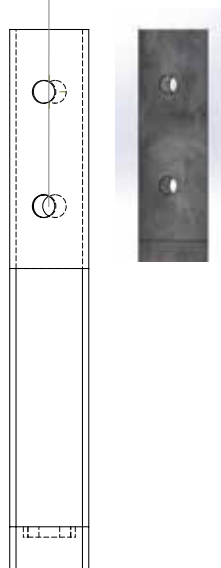
LEFT LEG
Two holes
to the right



THE 3 LEGS
Two holes in
the centre



RIGHT LEG
Two holes
to the left.



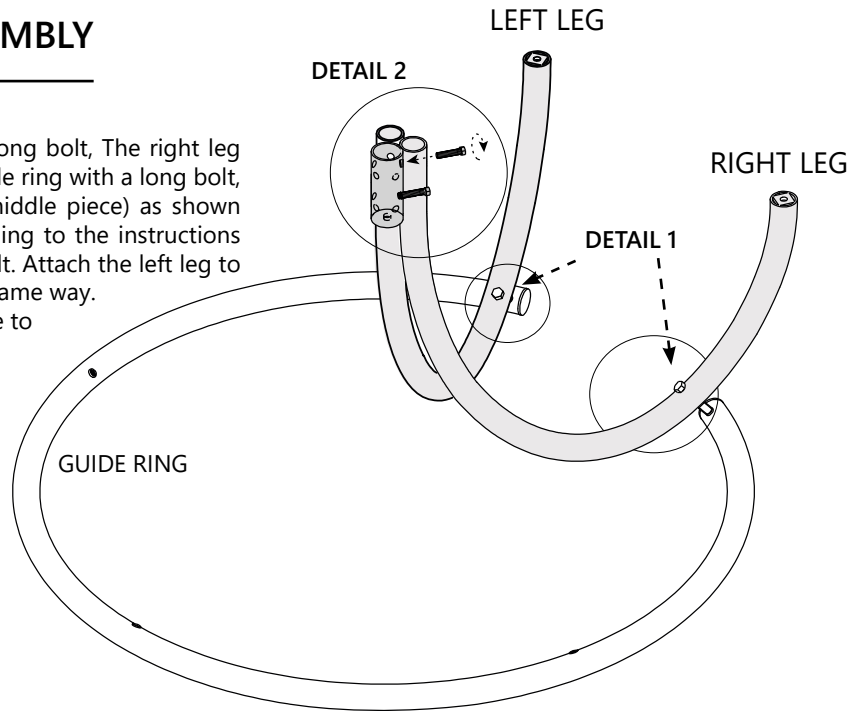
RECOMMENDATION:

The table weighs 45 kg / 99 lbs when assembled. It is recommended to use a pallet lifter if the boxes or the assembled table must be moved.

ASSEMBLY

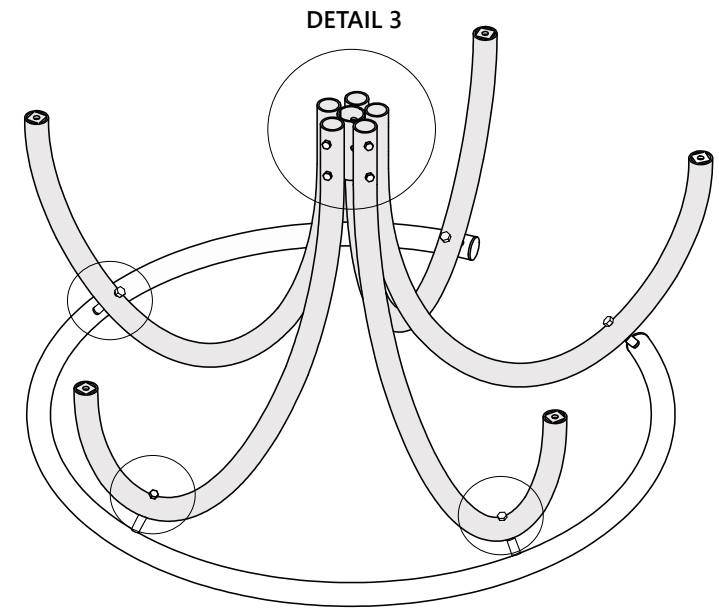
1

Place a washer on a long bolt, The right leg is attached to the guide ring with a long bolt, washer and spacer (middle piece) as shown in **detail 1** and according to the instructions above. Tighten the bolt. Attach the left leg to the guide ring in the same way. Secure the centre tube to the two legs with the short bolts as shown in **detail 2** so they are screwed right in.

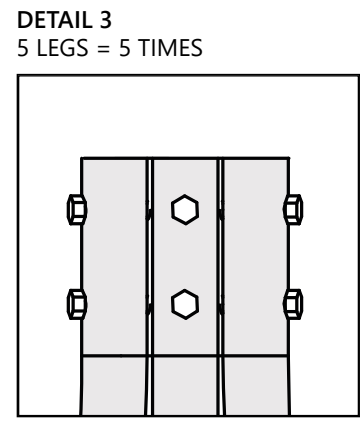
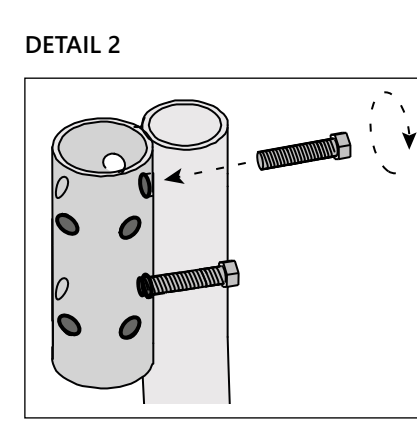
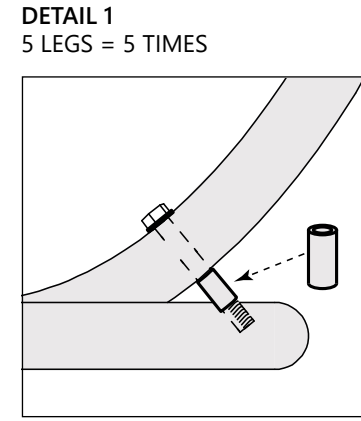
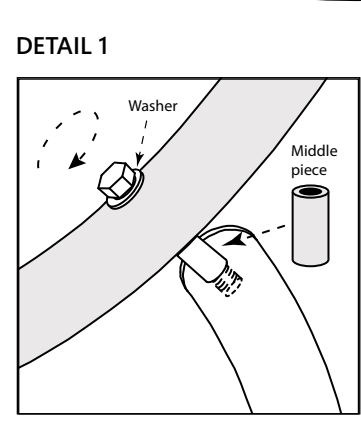


2

Attach the last three legs to the guide ring with long bolts to the guide ring and with the short bolts to the centre tube as described in **detail 1** and **2** and so it looks like **detail 3**.

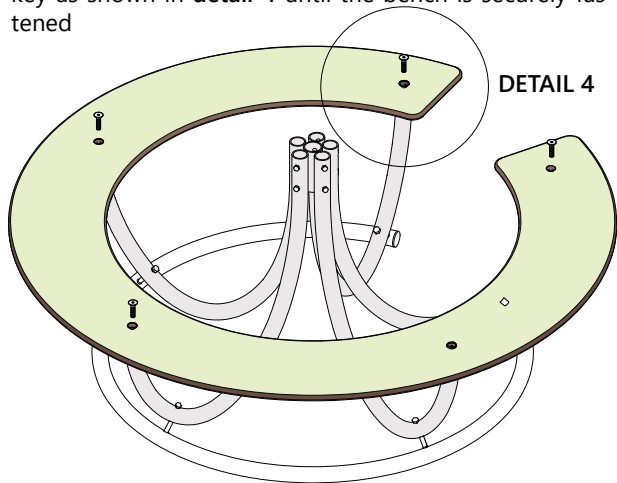


- 10 BOLTS (short)
M 10 mm x 45 mm
- 1 GUIDE RING
- 5 LEGS
- 5 BOLTS (long)
M 10 mm x 80 mm
- 5 middle pieces
- 5 washers

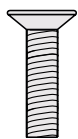


3

Remove film on the underside of the bench. Place the bench on top of the legs and over the holes in the legs. Fasten the countersunk screws in each hole with an Allen key as shown in **detail 4** until the bench is securely fastened

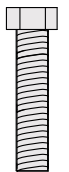


DETAIL 4

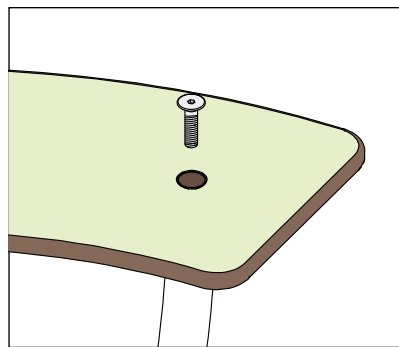


5 countersunk
SCREWS M 10 mm

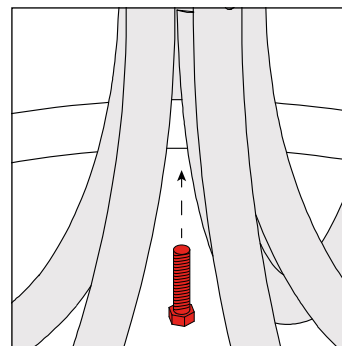
1 BENCH
1 support
1 TABLE TOP
1 TOP BRACKET



1 BOLT

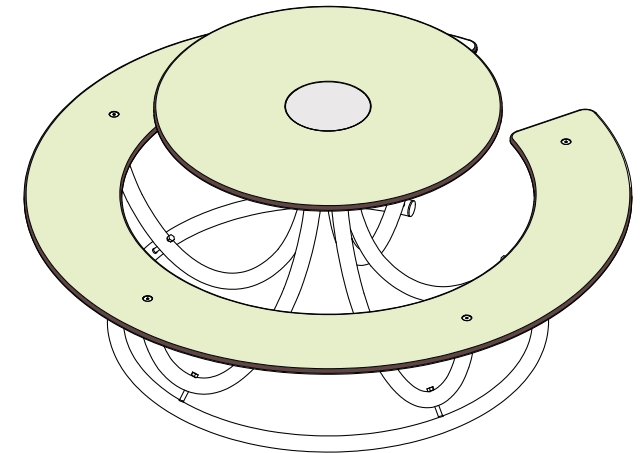
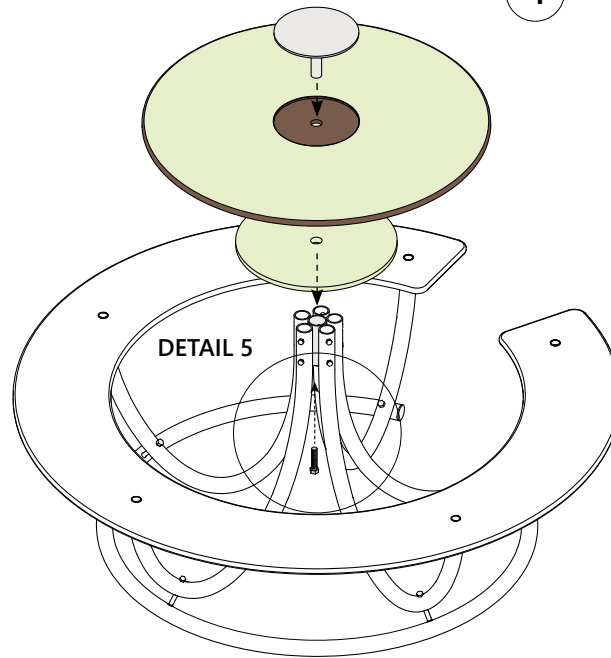


DETAIL 5



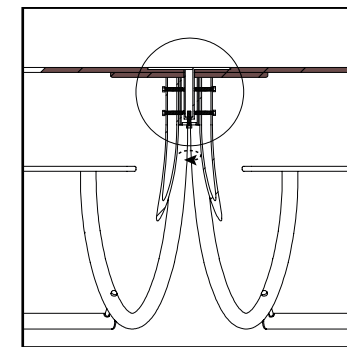
4

Remove the film on the support and the underside of the table top. Position the support for the table top, the table top and the top bracket on top of the legs, so that the pin on the top bracket goes down through both and into the centre of the centre tube as shown in **detail 5**. Tighten the supplied bolt on to the thread of the top bracket as shown in **detail 5 and 6**, so the table top does not wobble and is secure. Remove the film from the top of the bench and table top. Squid is then ready to use.



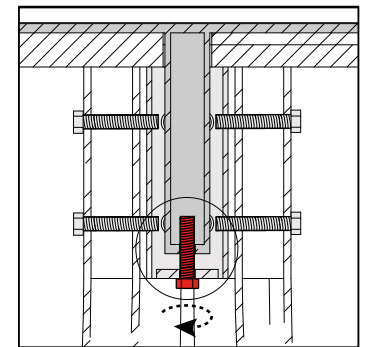
DETAIL 6

SECTIONAL VIEW OF THE ASSEMBLY



DETAIL 6

SECTIONAL VIEW OF THE ASSEMBLY





SQUID table CARE

Squid tables require little maintenance. Wash off any dirt with a soft brush and cloth. Or rinse it with water first, if it is covered in earth or sand. Liquid soap can be added to the water.

Tips: When it has rained and the table is clean of earth and sand, you can use a squeegee to remove the water so you can sit on it immediately after it has rained.

