

SCOOP SEAT



Table of Contents






Layout	1
Dimensions and description	2
Mounting Scoopi with bracket or filling it with sand	3-4
Joining multiple Scoopis	5-6
Mounting Scoopi Button in PE plastic	7
Assembly of Scoopi Table for 2 Scoopis	8
SCOOP/Scoopi assembly	9
Scoopi & SCOOP care	9
Mounting Scoopi Button & Table Top in EPDM rubber	10

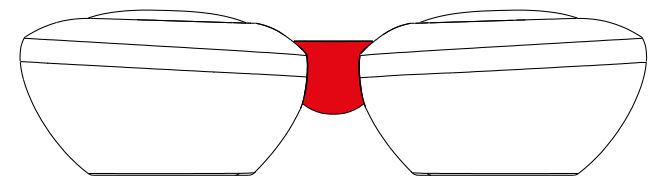
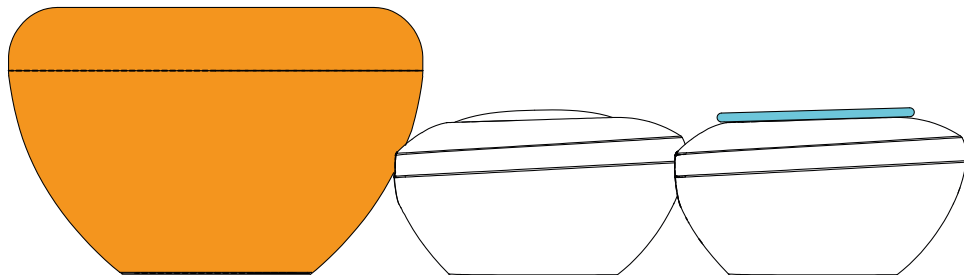
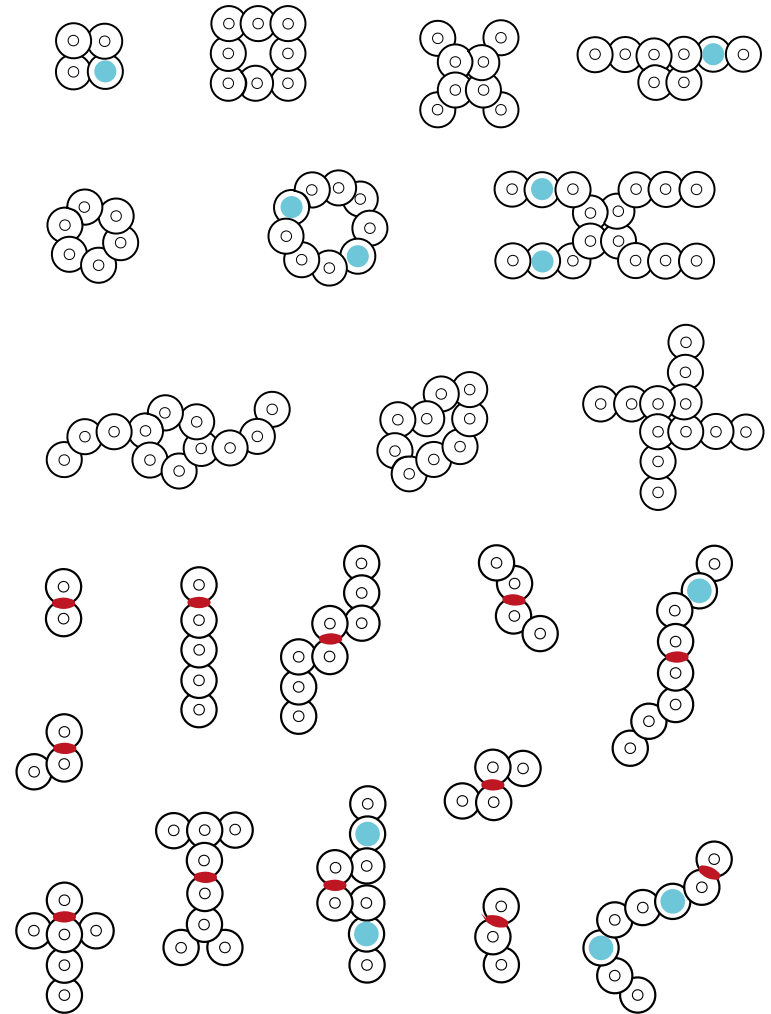
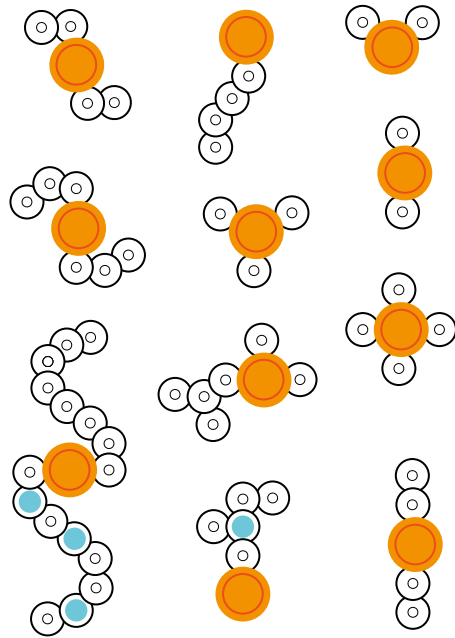
manga
street

MOUNTING

SCOoPI SEAT LAYOUT

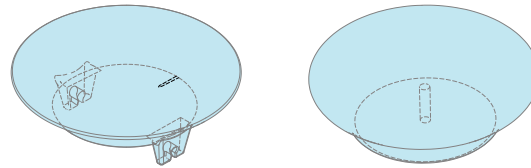


-  SCOOP
-  SCOoPI
-  SCOoPI TABLE
-  SCOoPI TABLE TOP
-  SCOoPI BUTTON



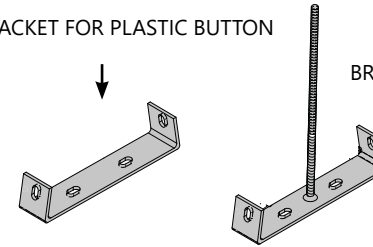
SCOoPI BUTTON IN PLASTIC

SCOoPI BUTTON IN RUBBER

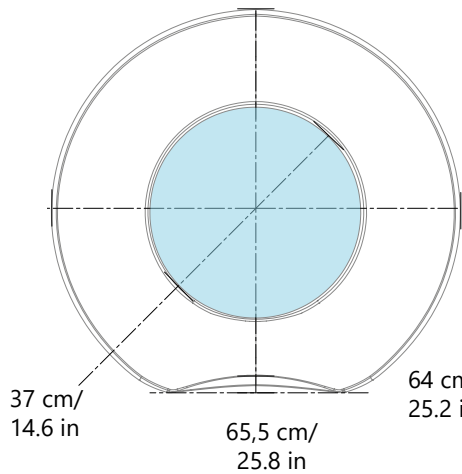


BRACKET FOR PLASTIC BUTTON

BRACKET FOR RUBBER BUTTON

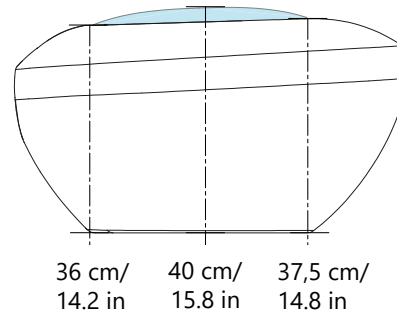
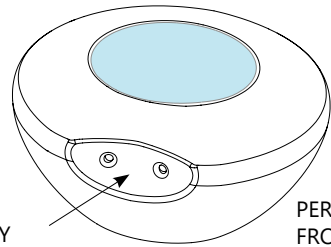


SCOoPI SEAT & SCOoPI BUTTON

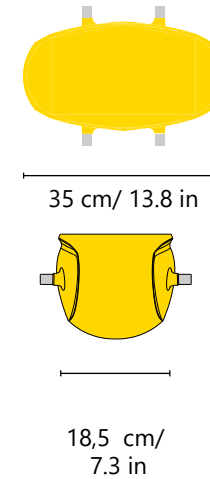


CAVITY

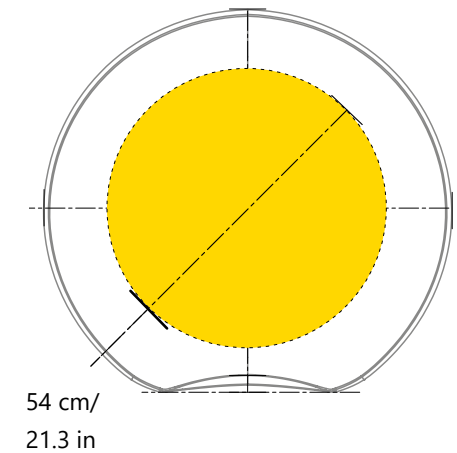
PERSPECTIVE FRONT VIEW



SCOoPI TABLE



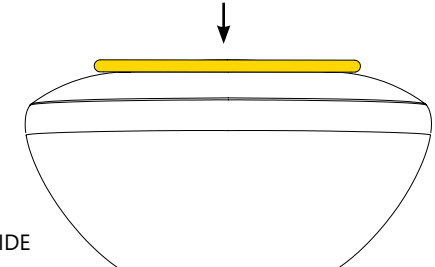
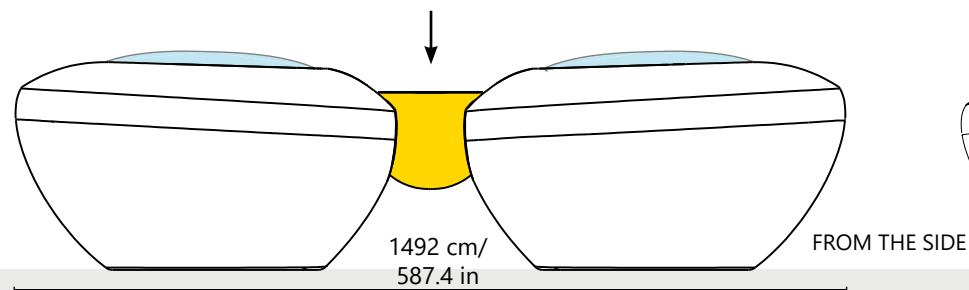
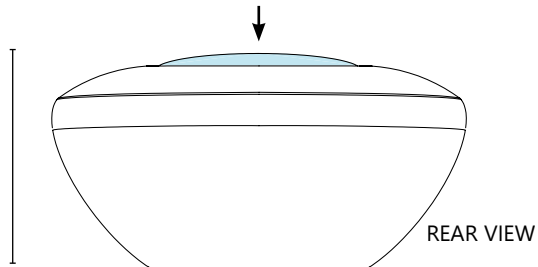
SCOoPI SEAT & SCOoPI TABLE TOP



SCOoPI BUTTON

SCOoPI TABLE

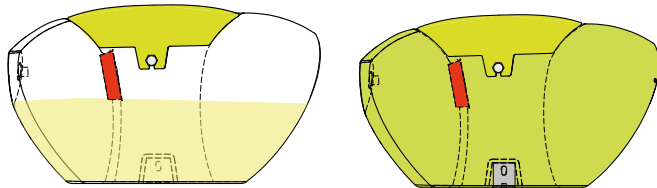
SCOoPI TABLE TOP



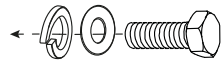
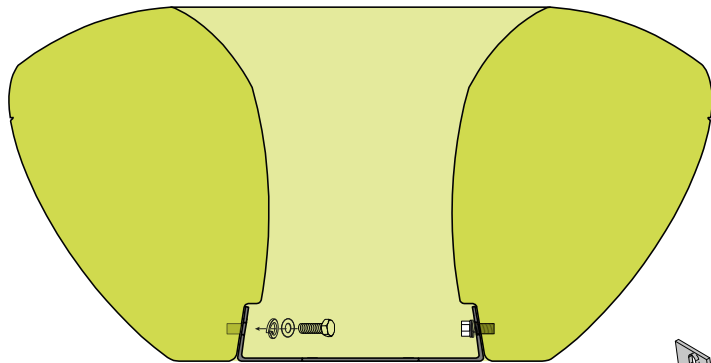
SCOOPPI SEAT

ASSEMBLY

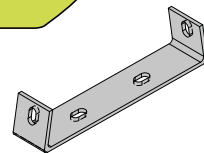
1 FILLED with SAND or MOUNTED to the ground?



2 MOUNTED to the ground - hard surface - outside:

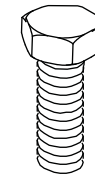


(See page 10 for bracket for EPDM rubber button and EPDM table.)



BRACKET for
PE plastic button

3 Place the Scoopi bracket like shown in no 2. Fasten with washers and bolts so it is quite firm. Mount brackets on all Scoopis in the layout. For inspiration see page 1.



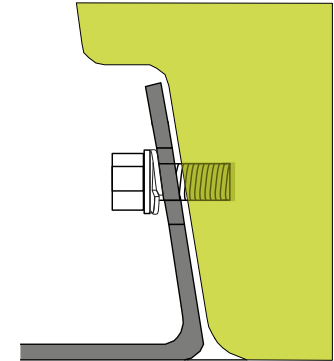
2 x BOLTS
M 10 mm x 20 mm



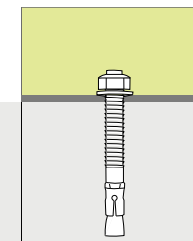
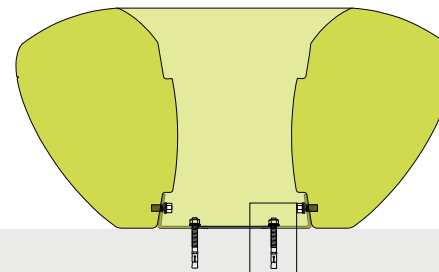
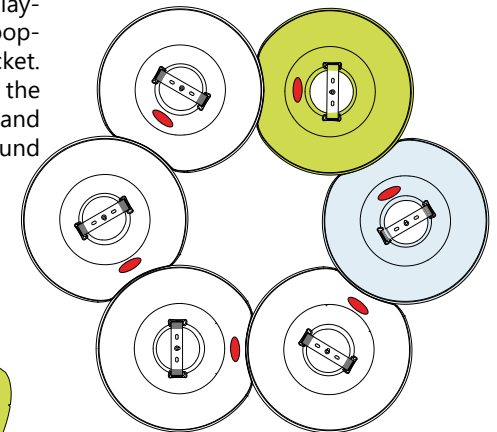
2 x WASHER



2 x SPRING WASHER

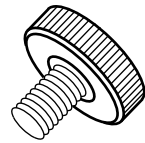


4 Place the Scoopi in the desired layout. Here is a layout with 6 Scoopis. Mark in holes of the bracket. Remove Scoopi. Drill holes in the ground. Place Scoopi again and mount one at a time to the ground with expansion bolts or what is suitable for a hard surface. Place large plug in the hole inside Scoopi. Mount Scoopi Button like shown on page 7.

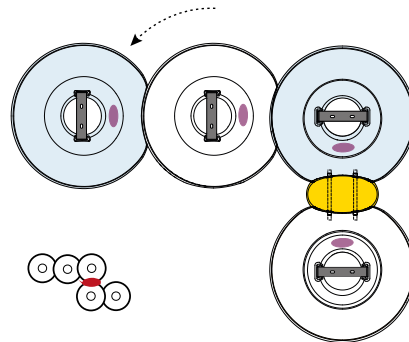


ASSEMBLY

- 1** FILLED with SAND:
- INDOORS: Fit base levellers/felt shoes on the bottom in the 3 bushings to avoid scratches on the floor.
- OUTDOORS: No base levellers.

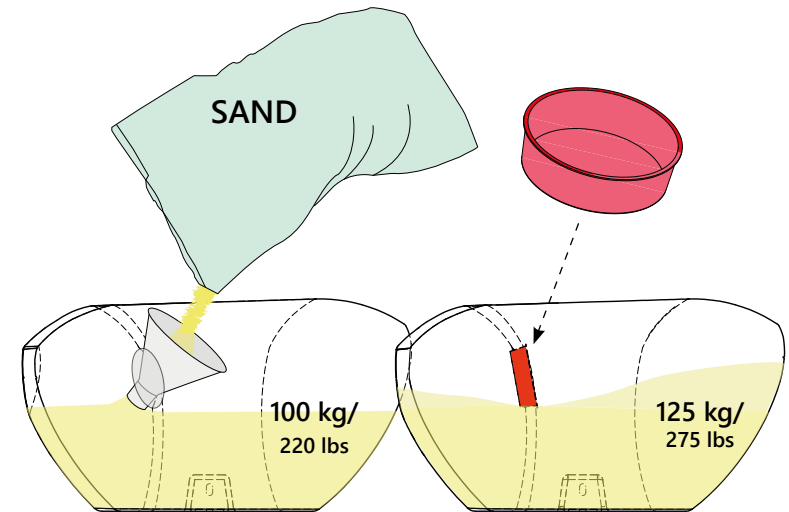


- 2** PLACED or JOINED to each other?
- PLACED: Place the Scoopis in the desired layout. See page 1 for inspiration. Here is a layout with 4 Scoopis and a Scoopi table. For mounting Scoopi Table see page 8.

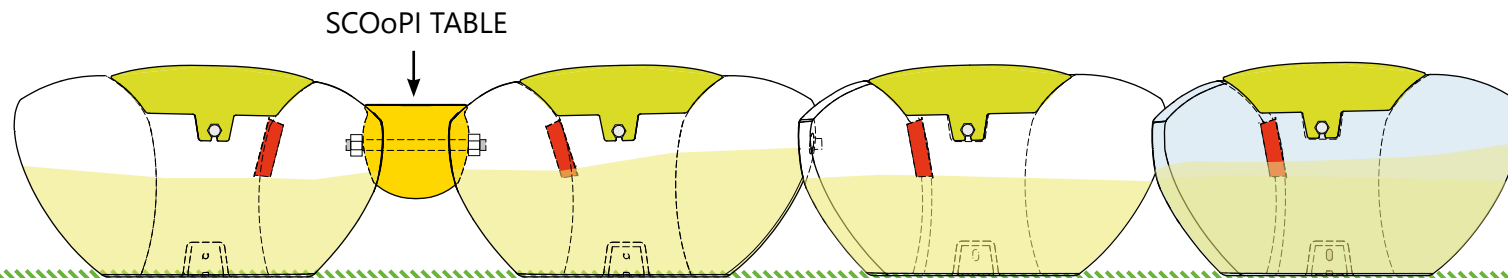


For joining Scoopis to each other see page 5-6.

- 3** When rubber button is delivered: Mount bracket before pouring in sand; for guidance see page 10 (Wait with rubber button). Pour kiln-dried sand in through the big hole inside Scoopi. Insert the large plug in the hole so that it fits tightly. (If the sand is to be emptied out later, there is a plug in the bottom of the Scoopi.)

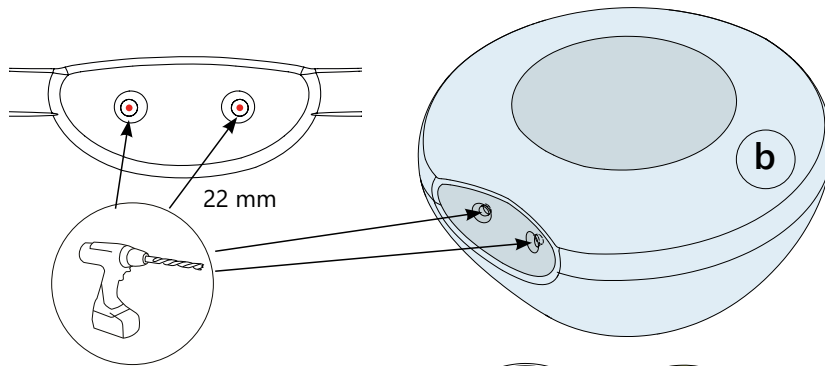


- 4** Mount Scoopi Button: In Plastic see page 7. In rubber see page 10.

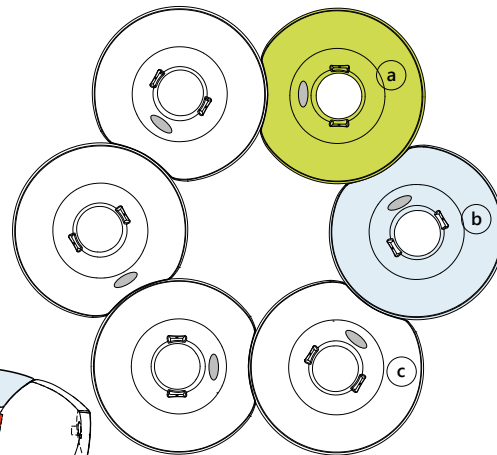


JOINING

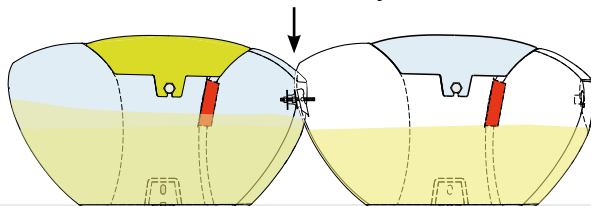
- 1** JOINING multiple Scoopis:
Drill two holes with a **22 mm** drill bit in the front of the Scoopi as shown in the drawing below.



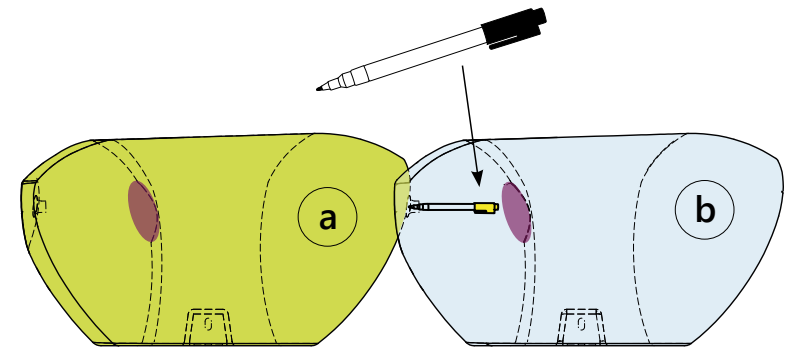
- 2** Place the Scoopis in the desired layout.
See page 1 for inspiration.
Here is a layout with 6 Scoopis.



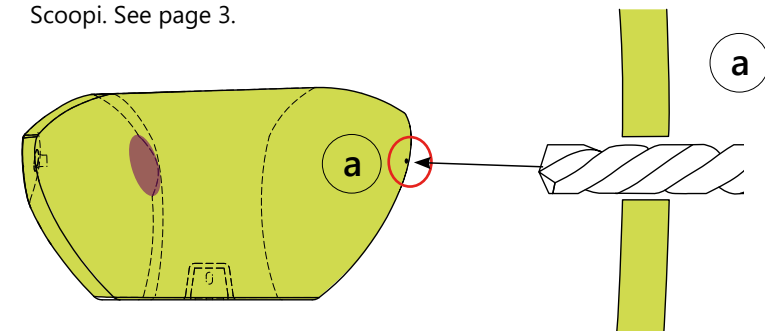
SCOoPI's with sand and joined.



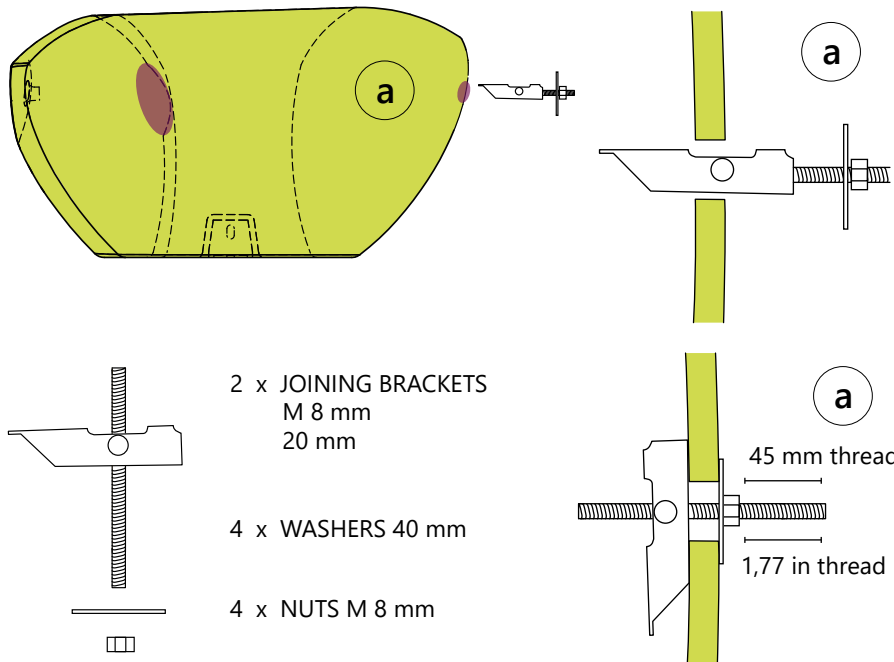
- 3** Through the large hole in the centre of Scoopi **b** and out through both the front drilled holes, mark on the side of Scoopi **a** with a permanent marker. If there are more Scoopis in the layout, pre-drill (no 1) and mark them all in the same way. It is an advantage marking out on a flat surface.



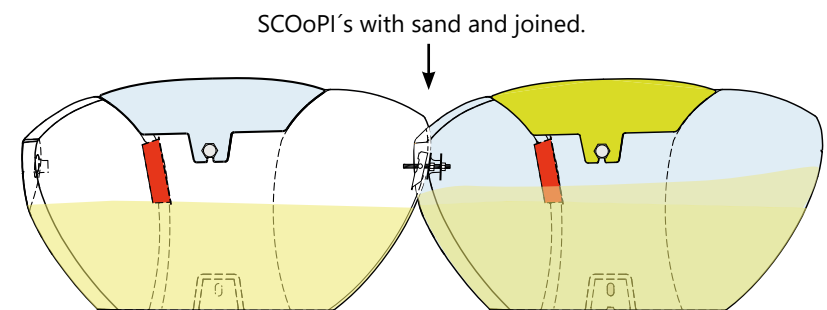
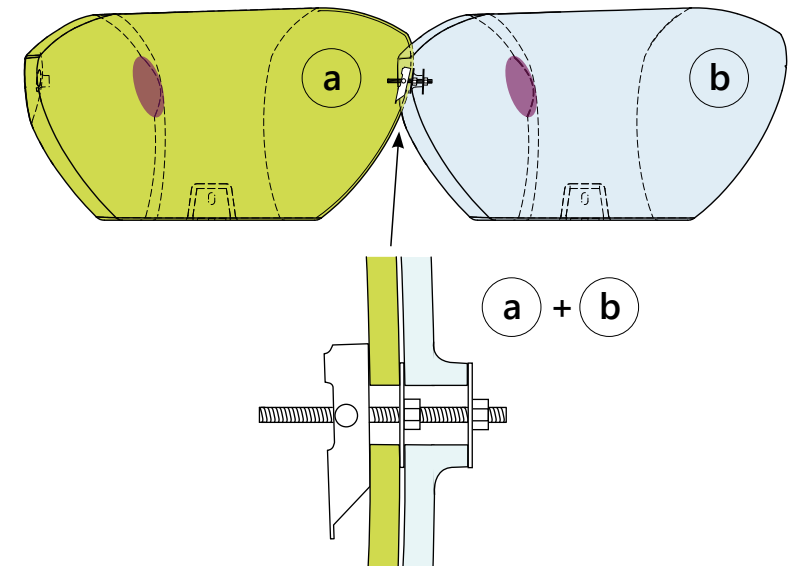
- 4** Drill on the 2 marked spots with a 22 mm drill bit.
If fixing with bracket - mount bracket now, in each Scoopi. See page 3.



- 5 Place a washer and nut loosely on joining bracket's threaded rod. Insert the joining bracket in the 22 mm hole and make sure that it goes through and opens on the inside of Scoopi **a**. Screw the threaded rod in so about ca 45-50 mm (1,77 in) is protruding. Screw the washer and nut tight. Repeat for second hole. For indoor use mount felt shoes like shown on page 4 no 1 and return to this page afterwards.



- 6 Place Scoopi **a** and **b** close together so the two linking brackets go through the two pre-drilled holes on Scoopi **b**. Fit the washer and nut on both joining brackets through the large hole in Scoopi **b** and tighten it so that the two Scoopis are securely attached together. Repeat on the other Scoopis in the layout. See page 4 for filling in sand and mounting the large plug. For mounting Scoopi Button, see page 7.



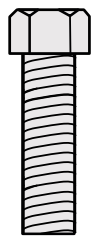
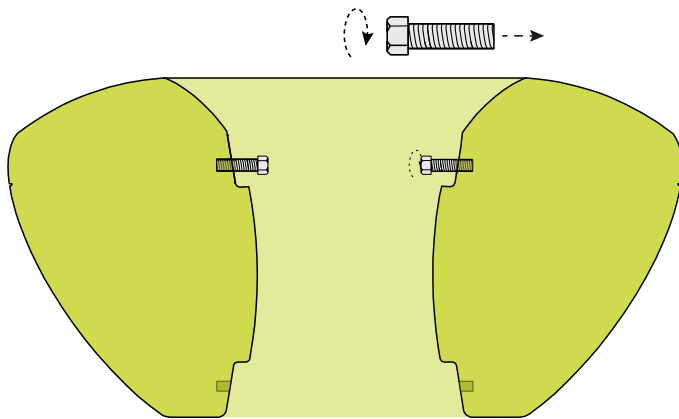
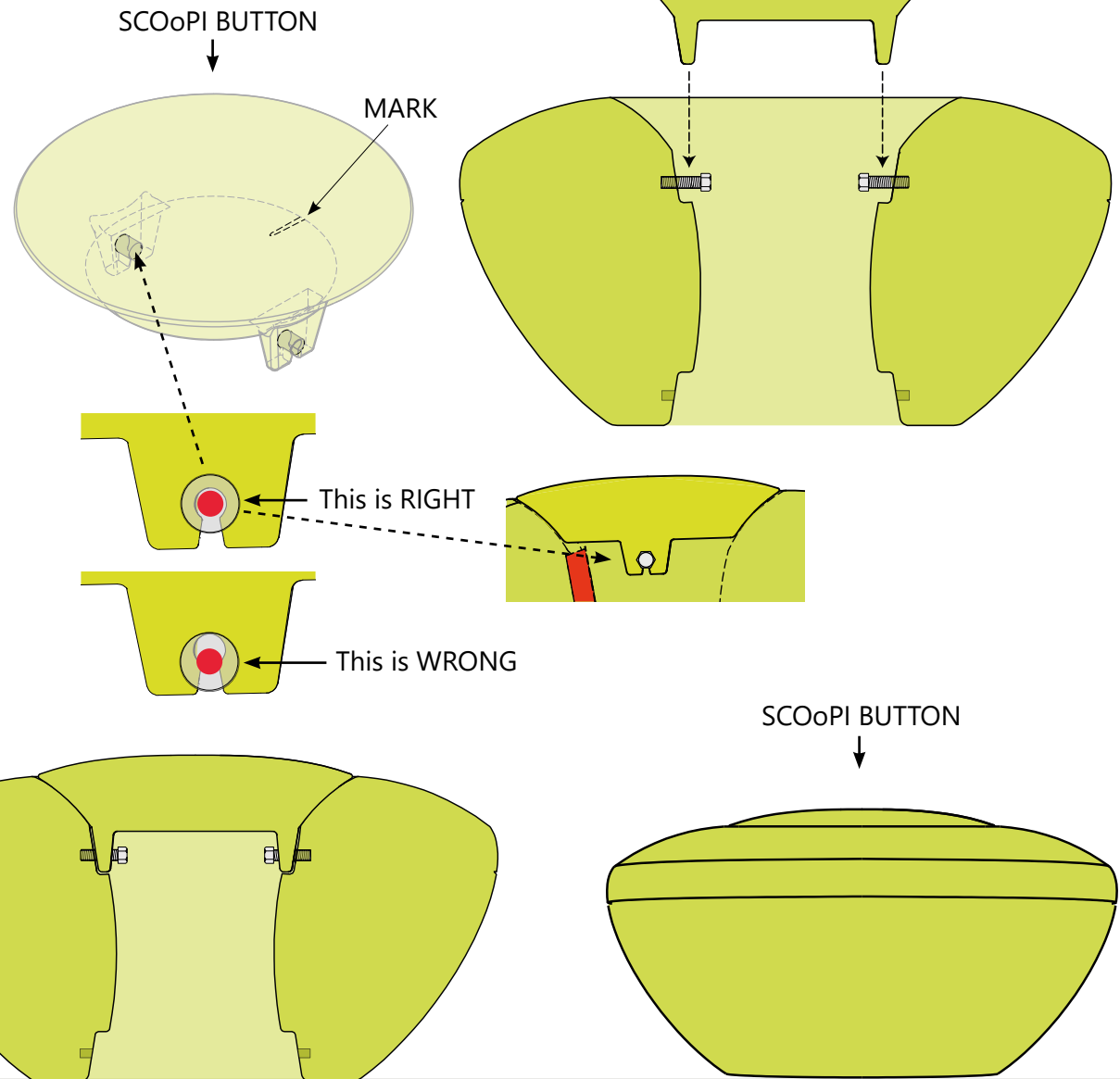
SCOoPI SEAT

MOUNTING- SCOoPI button



1

Fasten the two accompanying bolts in the upper bushes. Place MARK in the bottom of Scoopi Button towards the cavity of Scoopi Seat like shown here on the right. Attach the Scoopi Button to the Scoopi Seat by pressing the two holes in Scoopi Button over the screws until it clicks. **Take care of fingers when doing this.** Use for instance body weight. If it doesn't click on firmly turn the button opposite.

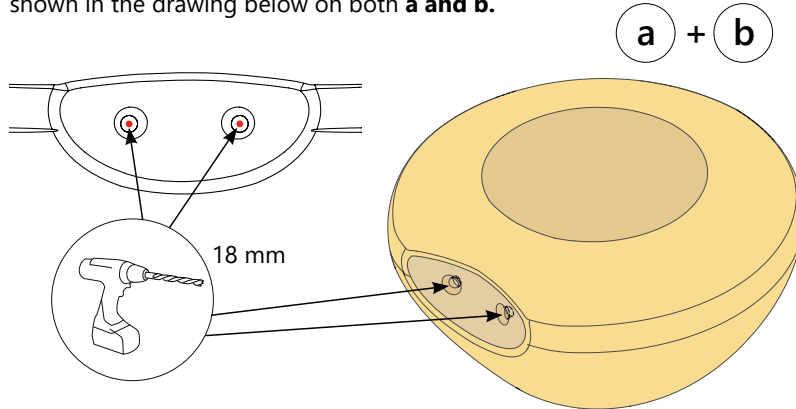


2 x BOLTS M 10 mm
x 50 mm

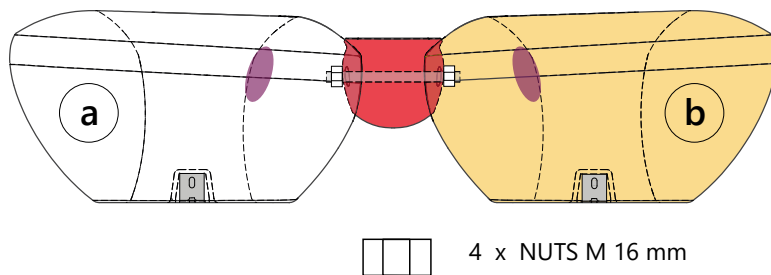
MOUNTING - SCOoPI Table



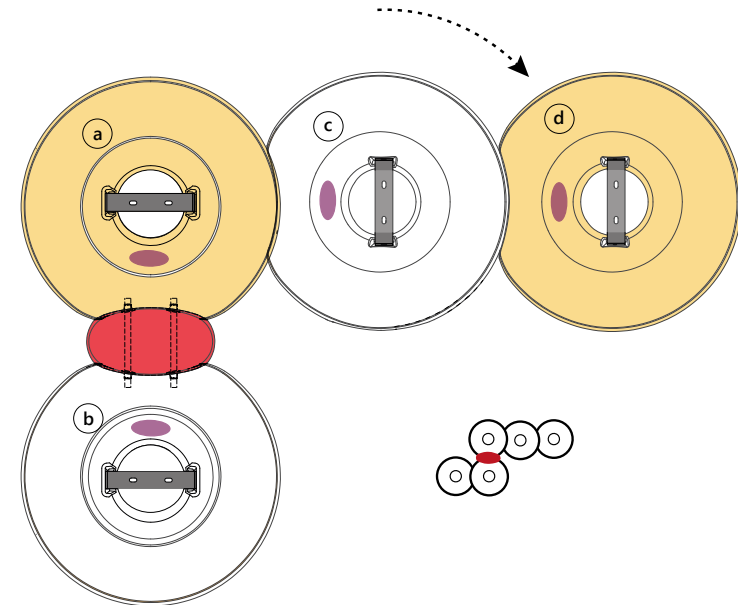
- 1 Drill with an **18 mm** drill bit in the two holes in the front of the Scoopi as shown in the drawing below on both **a and b**.



- 2 Position both Scoopi brackets and mount them as shown on page 3. Insert the Scoopi Table's threaded rods into the pre-drilled holes and mount with the 16 mm nuts supplied through the large hole on the inside of the Scoopi in **both a and b**.



- 3 Place the Scoopi/Scoopis in the desired layout, where the two Scoopis **a + b** are fitted with a Scoopi Table.



See pages 3-4 for fixing it to a firm surface or filling it with sand and how to mount the large plug.
See pages 7 and 10 for mounting the Scoopi Button.

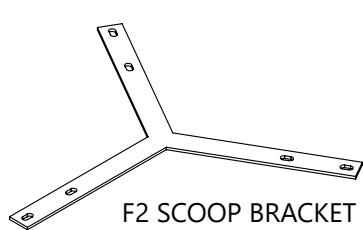




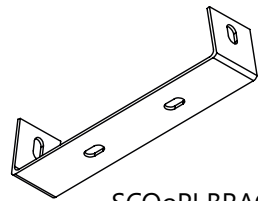
Scoop & Scoopi Seat are not attached together. But placed quite close together. If you choose to fix them in a permanent position, use the F2 brackets for Scoop and one of the two variations of brackets for Scoopi.

You can also pour sand in the Scoopi instead see both variations on page 3-4.

NOTE! The Scoopi Button in rubber must always be mounted on the bracket's threaded rod regardless of whether the Scoopi stands outside or inside/is fixed in a permanent position or not.

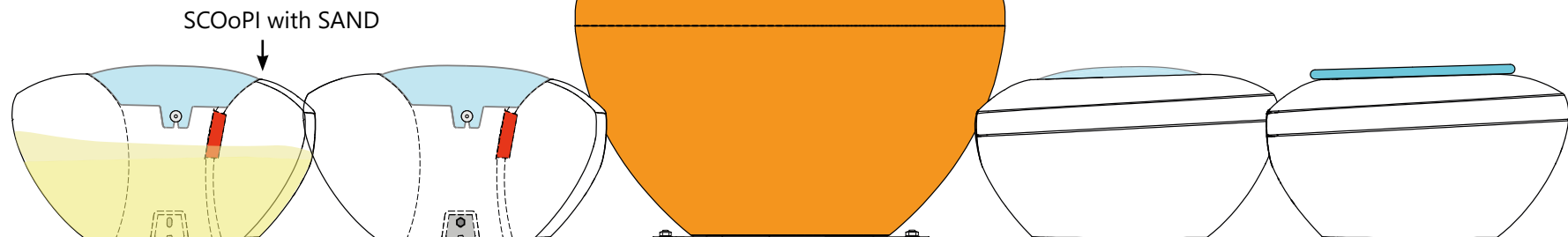


F2 SCOOP BRACKET



SCOoPI BRACKET
for PE plastic button

Important: Plug in the bottom of Scoop: Remove before permanently fixing the Scoop in position. To mount the Scoop, see its instructions.



SCOoPI & SCOOP CARE

Scoop & Scoopi and Scoopi Button in plastic, require very little maintenance. If necessary, clean them with soap and water or/and with "rubber and plastic cleaner" on any blemishes. They can easily be cleaned with a pressure washer.

Scoopi Button made from rubber, as well as Scoopi Table and Scoopi Table Top, also in rubber, are water permeable and durable. Rubber products can be cleaned and the colours can be freshened up with a shampoo that is suitable for cleaning rubber.

Rubber products can be cleaned with a pressure washer, but carefully and with less pressure so the surface is not damaged or becomes frayed. Chewing gum can often be removed using the above method, or you can also use a freeze spray. Then remove it mechanically. If lights are fitted in Scoop Light, the light chain, etc., must not be cleaned with water. See Scoop assembly instructions for cleaning and mounting this.

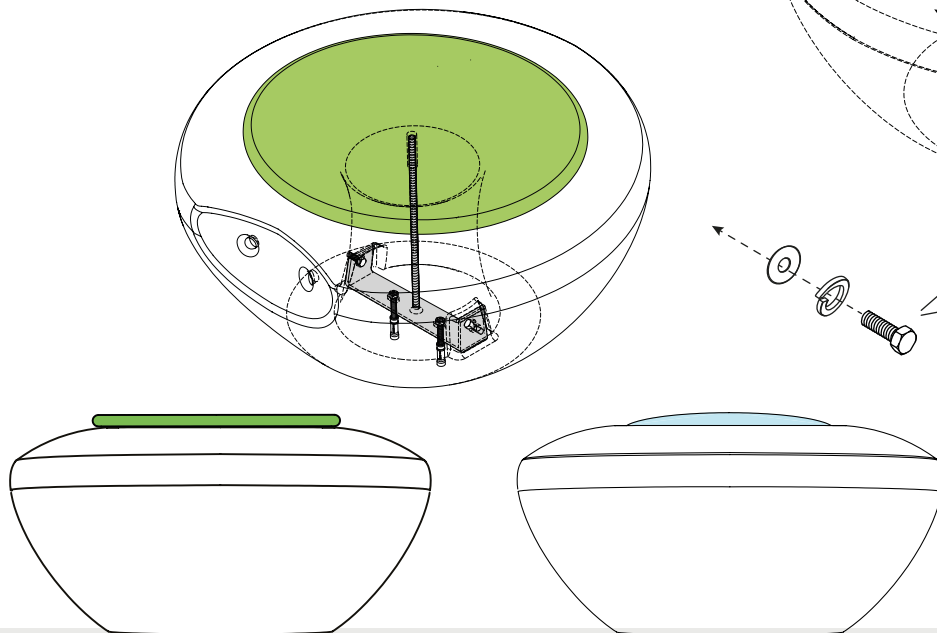
SCOoPI SEAT



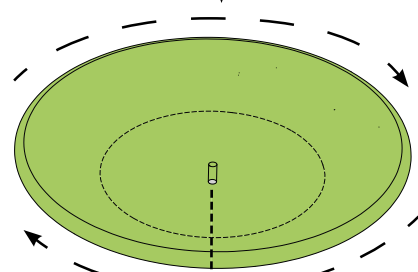
MOUNTING - TABLE TOP OR BUTTON IN EPDM

The Scoopi Button & Table Top in EPDM rubber is mounted in the exact same method. Regardless of whether the Scoopi is to be inside or outside the bracket is always to be mounted and attached to the button or the table. Follow the steps from 1-4. To fasten the Scoopi Table Top or the Scoopi Button, screw directly into the rubber and into the Scoopi like shown on the right, so the head of the screw disappears into the rubber or give the upper part of the threaded rod a blob of Loctite adhesive. Screw the Scoopi Button/Scoopi Table Top onto the threaded rod until it is firmly against the inside of the Scoopi.

NOTE: Afterwards, it will not be possible to separate the two parts, or it will be very difficult, but they can be separated mechanically.



SCOoPI TABLE TOP

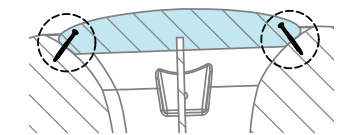
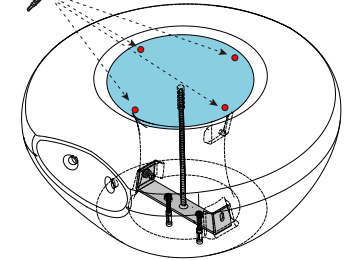


4

LAST! No 4: Screw the Scoopi Button or the Table Top onto the threaded rod until firm and fasten with glazing bead screws. The Scoopi Button or the Scoopi Table Top is fastened with glazing bead screws in the places shown, so they disappear in the rubber and grip the inside of the Scoopi Seat. Else use a few drops of Loctite glue on the top of the treaded rod and turn Scoopi Button on firmly.

manga street

SCOoPI BUTTON in EPDM



1

No 1: BRACKET - Put the Scoopi bracket in place. **NOTE:** The threaded rod should be angled forward towards the cavity as shown on the left side.

2

No 2: The bolts with washers are screwed into the lower bushings Through holes in the sides of the bracket until firm. For detail see page 3.

3

No 3: Fasten Scoopi Seat. For suggestions see page 3.

SCOoPI BRACKET

BRACKET side

91.50°

FORWARD

For picture of Scoopi Button in EPDM rubber mounted on Scoopi Seat see following page.

manga
street



MANGA STREET APS
Web: www.mangastreet.eu
Mail: manga@mangastreet.eu

Natskyggevej 30
3390 Hundested
Denmark

P: +45 2679 2521
VAT No : DK 38350668

Photos : Anna-Lene Riber