

SCOOP SEAT



Table of Contents






Layout	1
Dimensions and description	2
Mounting Scoopi with bracket or filling it with sand	3-4
Joining multiple Scoopis	5-6
Mounting Scoopi Button in PE plastic	7
Assembly of Scoopi Table for 2 Scoopis	8
SCOOP/Scoopi assembly	9
Scoopi & SCOOP care	9
Mounting Scoopi Button & Table Top in EPDM rubber	10-11
Levelling of Scoopi Seats tilt	12

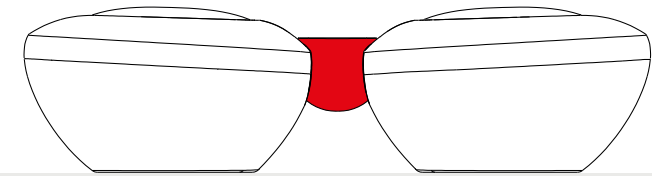
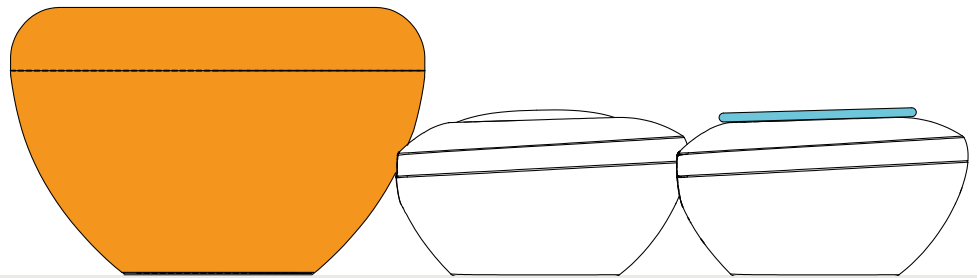
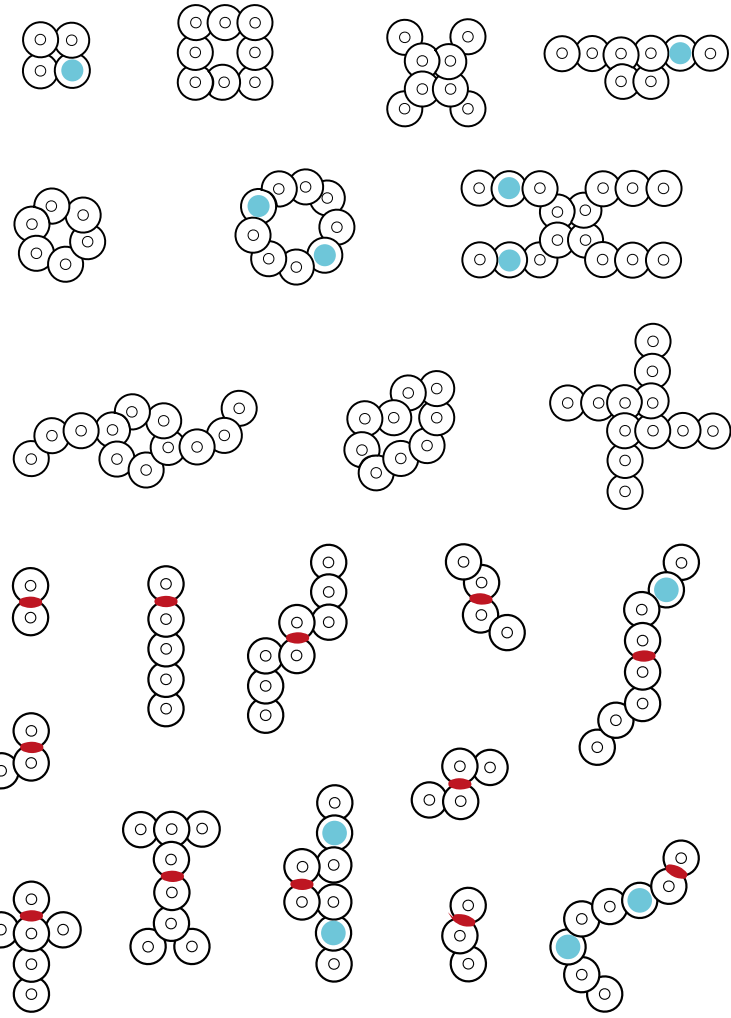
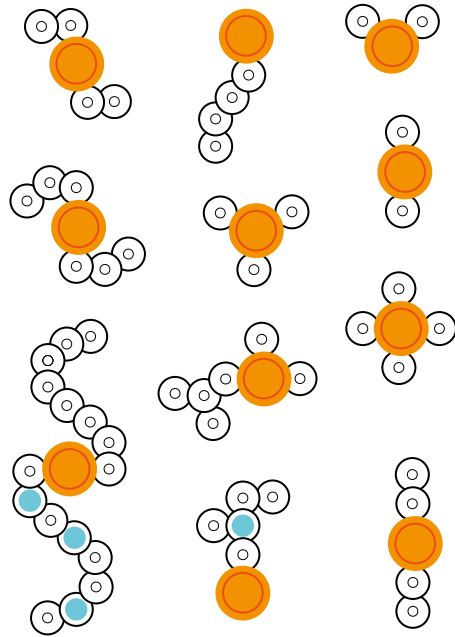
manga
street

MOUNTING

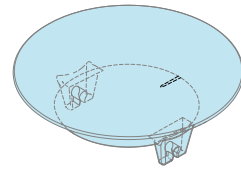
SCOoPI SEAT LAYOUT



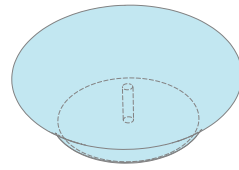
-  SCOOP
-  SCOoPI
-  SCOoPI TABLE
-  SCOoPI TABLE TOP
-  SCOoPI BUTTON



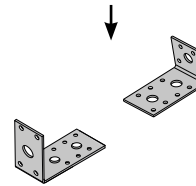
SCOoPI BUTTON IN PLASTIC



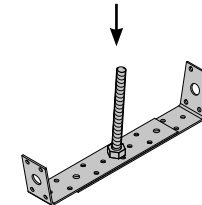
SCOoPI BUTTON IN RUBBER



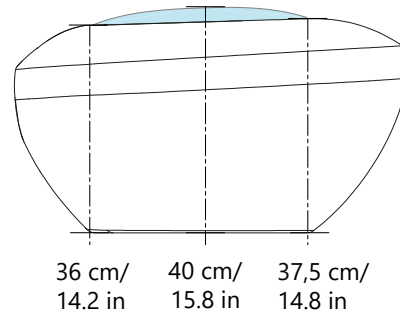
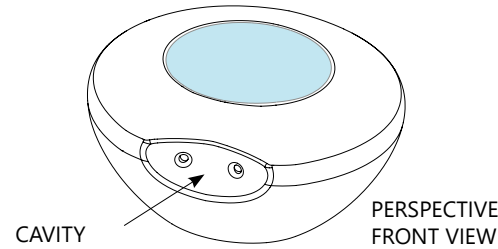
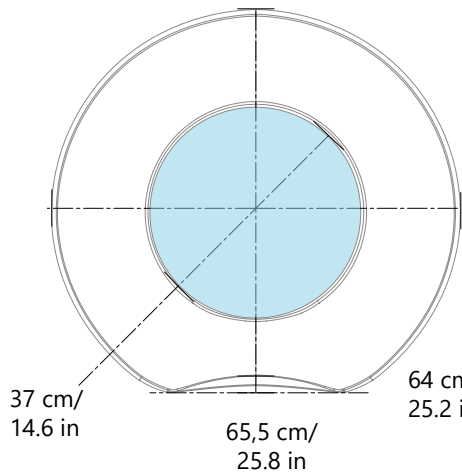
BRACKET FOR MOUNTING ON SOLID SURFACES 2 PCS.



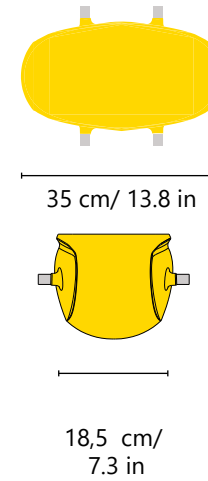
BRACKET FOR RUBBER BUTTON



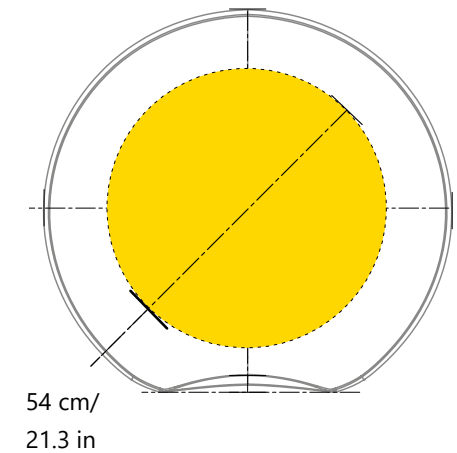
SCOoPI SEAT & SCOoPI BUTTON



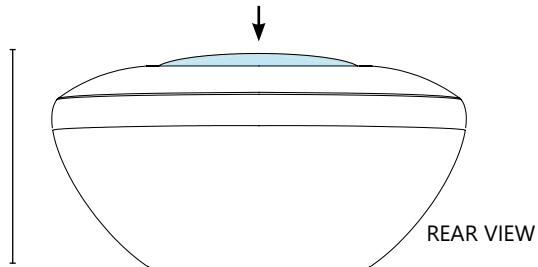
SCOoPI TABLE



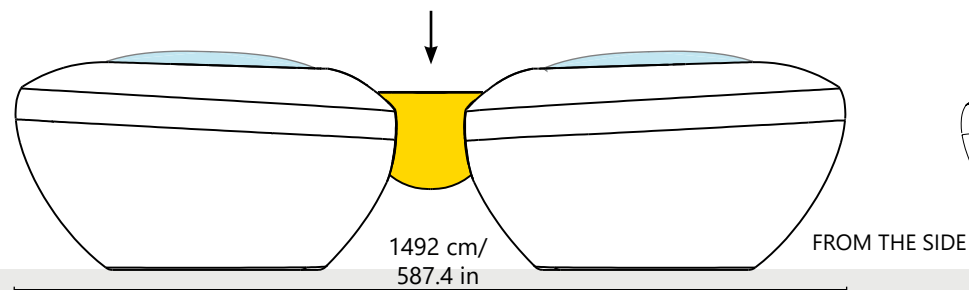
SCOoPI SEAT & SCOoPI TABLE TOP



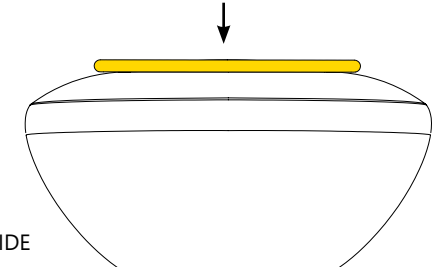
SCOoPI BUTTON



SCOoPI TABLE



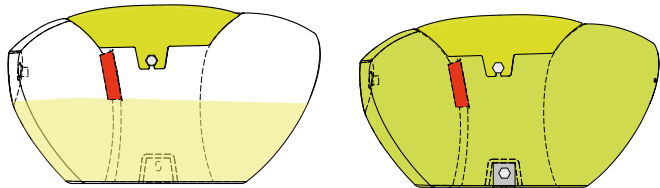
SCOoPI TABLE TOP



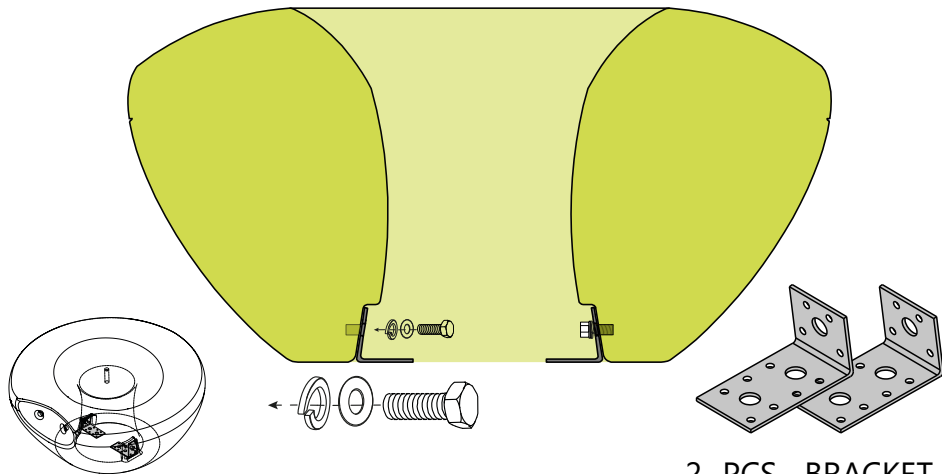
SCOOPPI SEAT

ASSEMBLY

1 FILLED with SAND or MOUNTED to the ground?



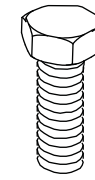
2 MOUNTED to the ground - hard surface - outside:



2 PCS. BRACKET for mounting on solid surfaces.

3

Place the Scoopi brackets like shown in no 2. Fasten with washers and bolts so it is quite firm. Mount brackets on all Scoopis in the layout. For inspiration see page 1. If Scoopi is not to tilt forwards like it does see page 12.



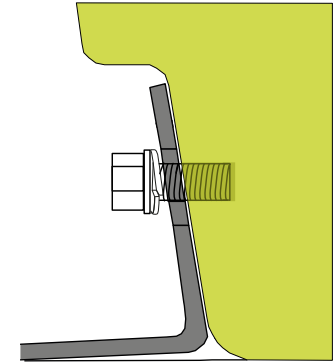
2 x BOLTS
M 10 mm x 20 mm



2 x WASHER

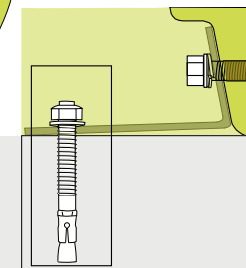
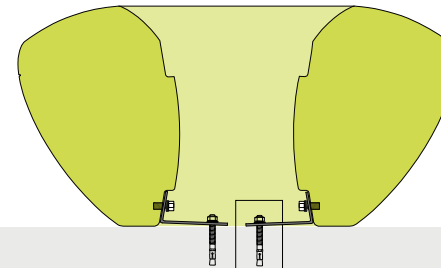
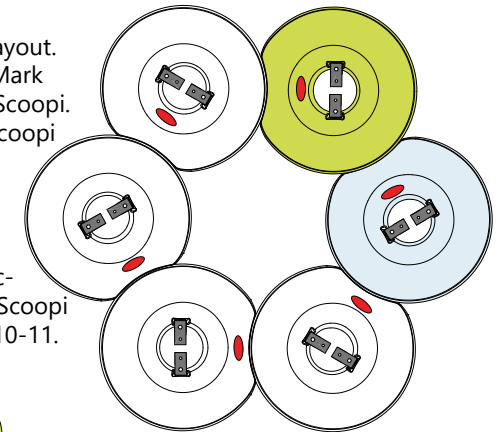


2 x SPRING WASHER



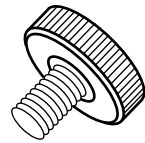
4

Place the Scoopi in the desired layout. Here is a layout with 6 Scoopis. Mark in holes of the bracket. Remove Scoopi. Drill holes in the ground. Place Scoopi again and mount one at a time to the ground with expansion bolts or what is suitable for a hard surface. Place large plug in the hole inside Scoopi. (For picture of plug see page 4). Mount Scoopi Button like shown on page 7 or 10-11.



ASSEMBLY

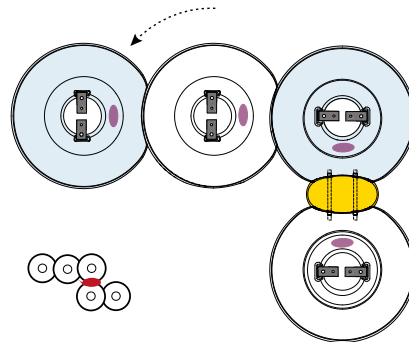
- 1** FILLED with SAND:
INDOORS: Fit base levellers/felt shoes on the bottom in the 3 bushings to avoid scratches on the floor. Do not use sand but joining bracket - see page 6.



OUTDOORS: No base levellers.

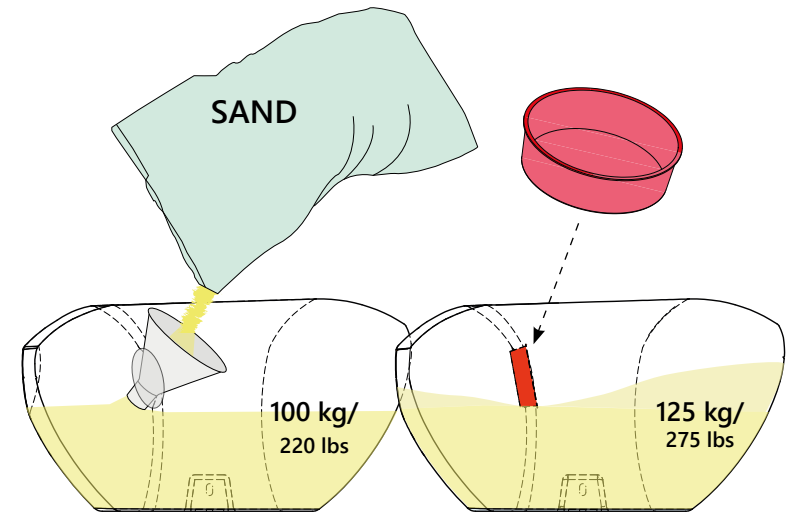
- 2** PLACED or JOINED to each other?

PLACED: Place the Scoopis in the desired layout. See page 1 for inspiration. Here is a layout with 4 Scoopis and a Scoopi table. For mounting Scoopi Table see page 8.

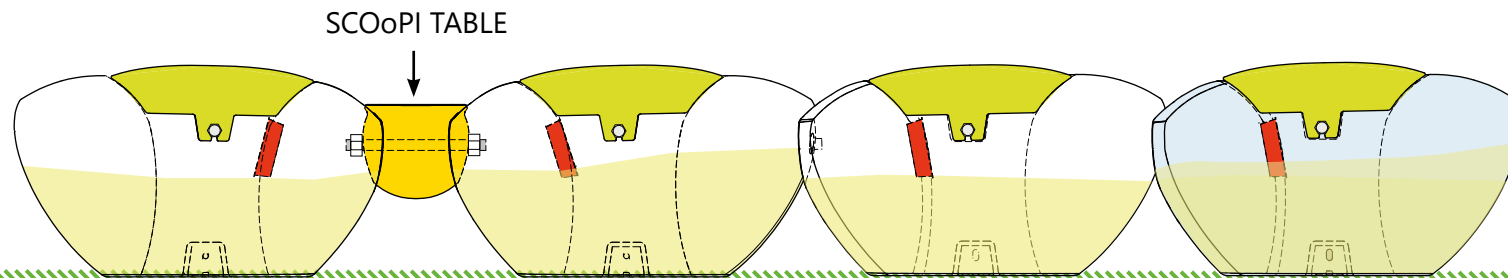


For joining Scoopis to each other see page 5-6.

- 3** When rubber button is delivered: Mount bracket before pouring in sand; for guidance see page 10 (Wait with rubber button). Pour kiln-dried sand in through the big hole inside Scoopi. Insert the large plug in the hole so that it fits tightly. (If the sand is to be emptied out later, there is a plug in the bottom of the Scoopi.)

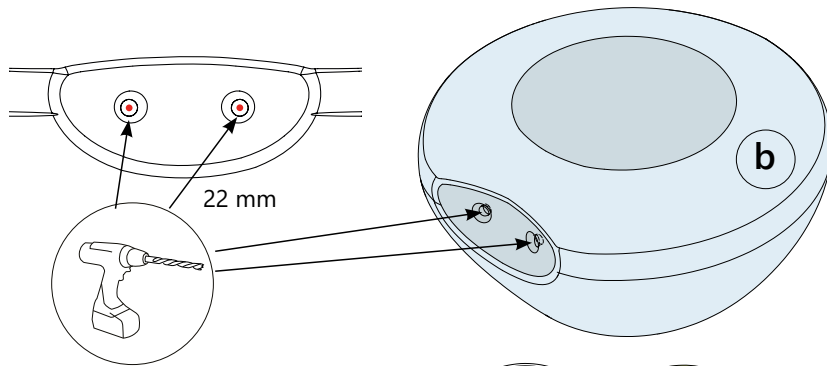


- 4** Mount Scoopi Button: In Plastic see page 7. In rubber see page 10.

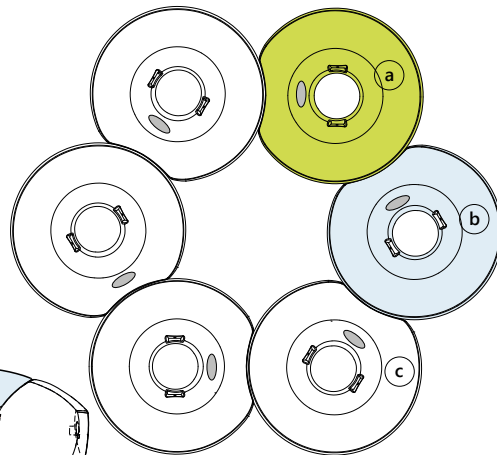


JOINING

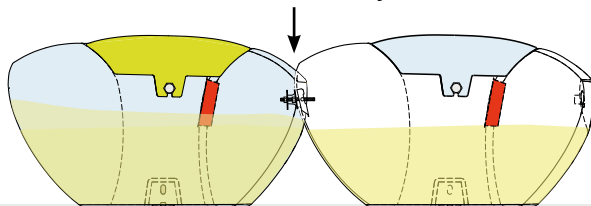
- 1** JOINING multiple Scoopis:
Drill two holes with a **22 mm** drill bit in the front of the Scoopi as shown in the drawing below.



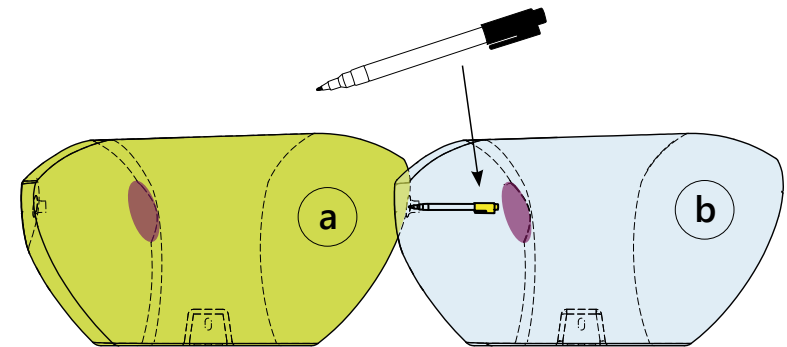
- 2** Place the Scoopis in the desired layout.
See page 1 for inspiration.
Here is a layout with 6 Scoopis.



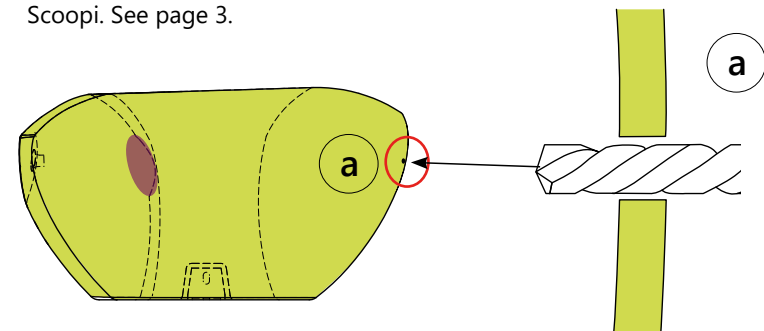
SCOoPI's with sand and joined.



- 3** Through the large hole in the centre of Scoopi **b** and out through both the front drilled holes, mark on the side of Scoopi **a** with a permanent marker. If there are more Scoopis in the layout, pre-drill (no 1) and mark them all in the same way. It is an advantage marking out on a flat surface.

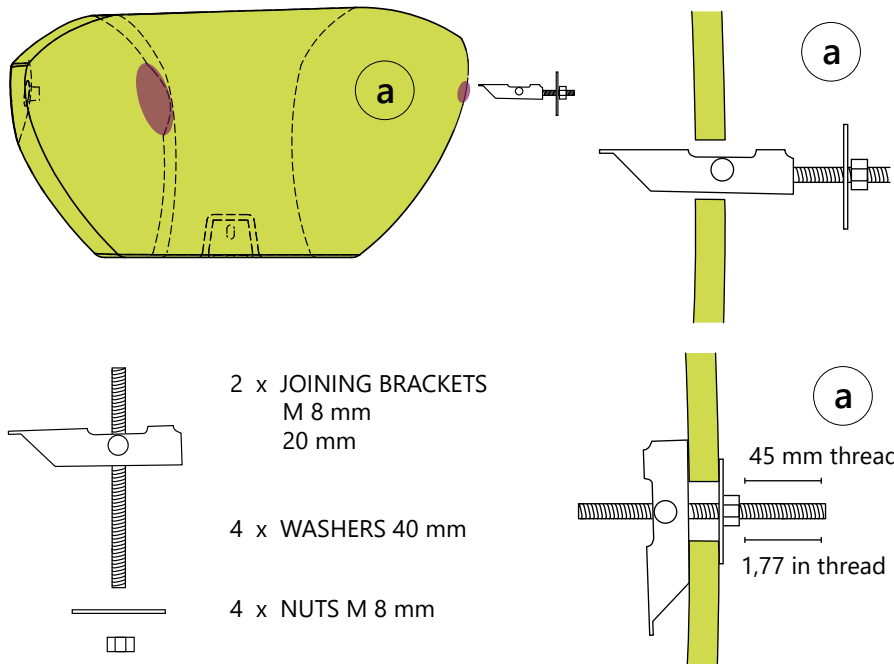


- 4** Drill on the 2 marked spots with a 22 mm drill bit.
If fixing with bracket - mount bracket now, in each Scoopi. See page 3.

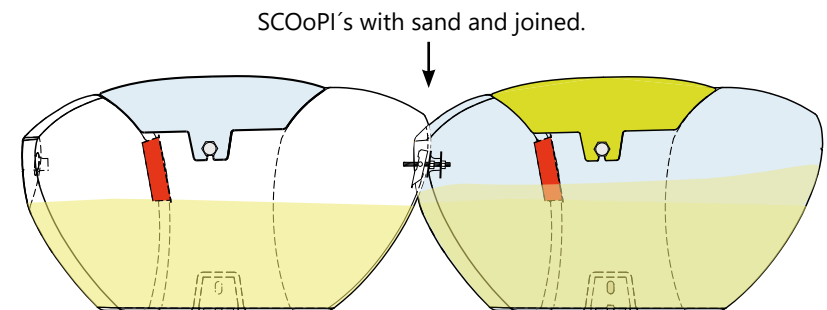
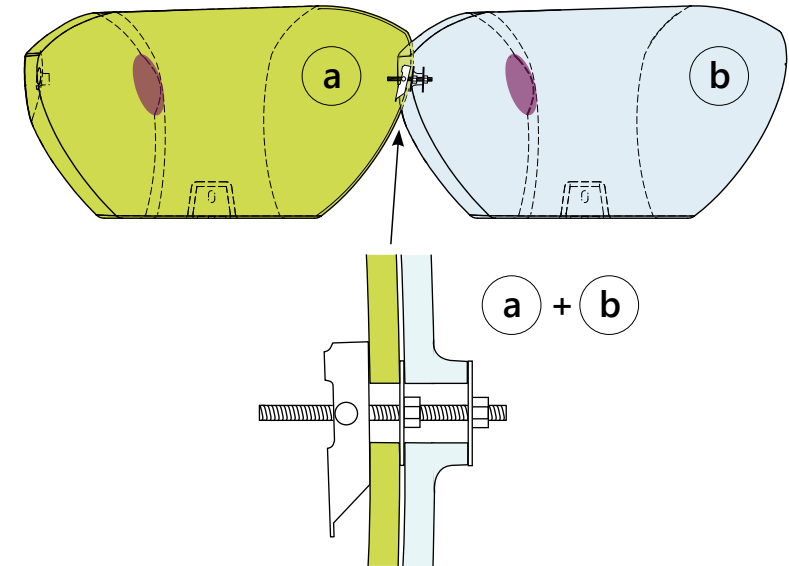


JOINING

- 5 Place a washer and nut loosely on joining bracket's threaded rod. Insert the joining bracket in the 22 mm hole and make sure that it goes through and opens on the inside of Scoopi **a**. Screw the threaded rod in so about ca 45-50 mm (1,77 in) is protruding. Screw the washer and nut tight. Repeat for second hole. For indoor use mount felt shoes like shown on page 4 no 1 and return to this page afterwards.



- 6 Place Scoopi **a** and **b** close together so the two linking brackets go through the two pre-drilled holes on Scoopi **b**. Fit the washer and nut on both joining brackets through the large hole in Scoopi **b** and tighten it so that the two Scoopis are securely attached together. Repeat on the other Scoopis in the layout. See page 4 for filling in sand and mounting the large plug. For mounting Scoopi Button, see page 7.



SCOoPI SEAT

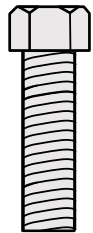
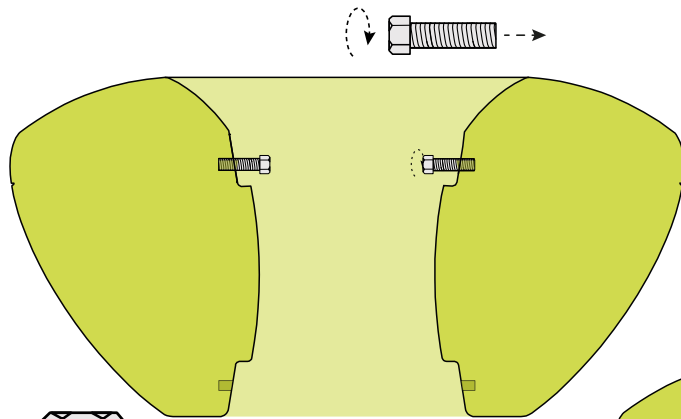
MOUNTING- SCOoPI button



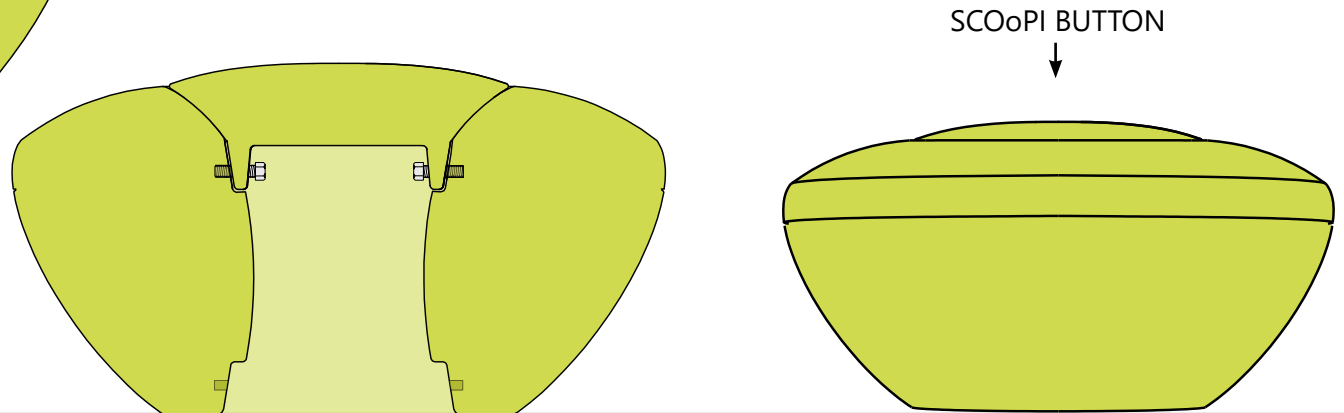
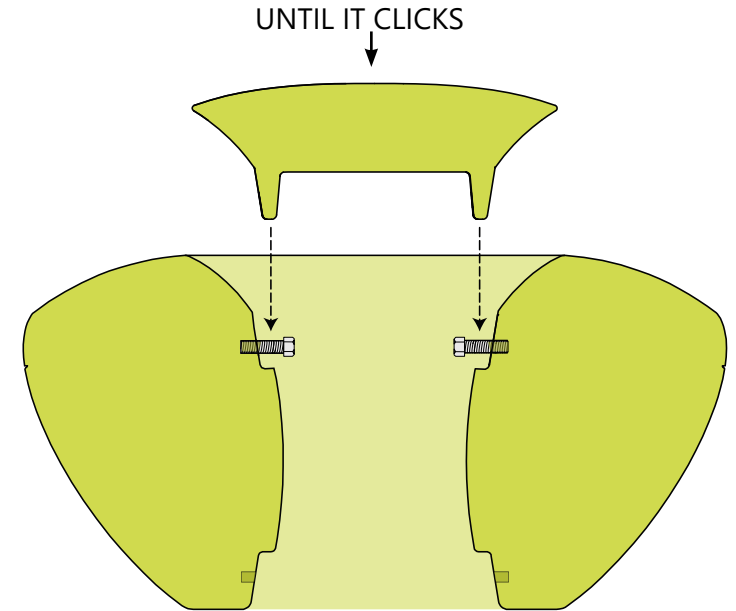
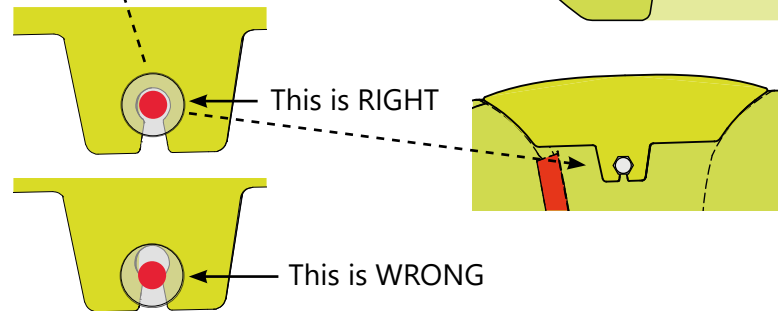
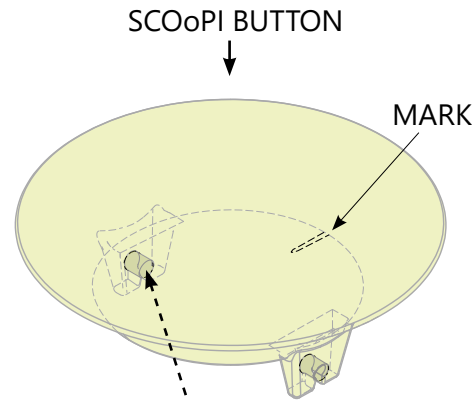
1

IMPORTANT: Place the included large plug in the hole inside the Scoopi (For drawing see page 4).

Fasten the two accompanying bolts in the upper bushes. Place MARK in the bottom of Scoopi Button towards the cavity of Scoopi Seat like shown here on the right. Attach the Scoopi Button to the Scoopi Seat by pressing the two holes in Scoopi Button over the screws until it clicks. **Take care of fingers when doing this.** Use for instance body weight. If it doesn't click on firmly turn the button opposite.



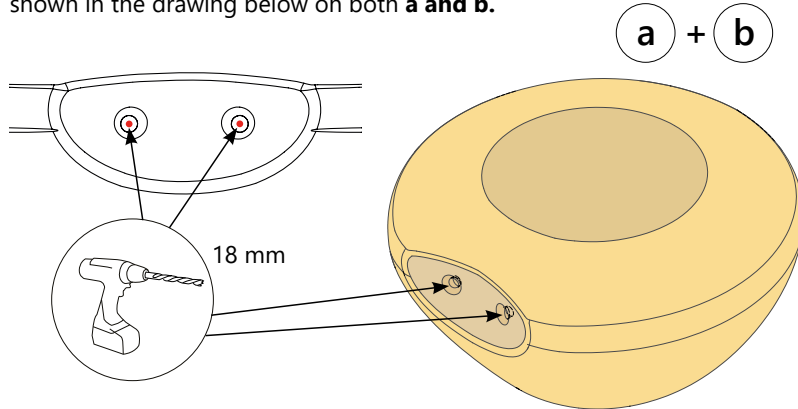
2 x BOLTS M 10 mm
x 50 mm



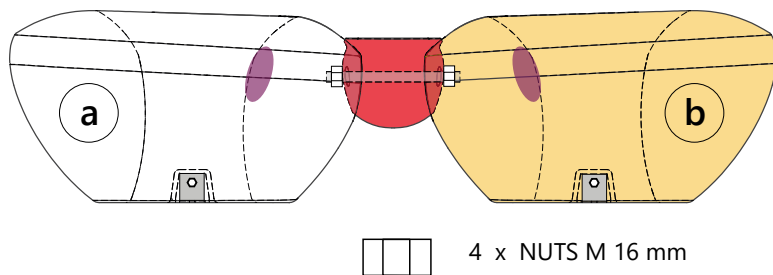
MOUNTING - SCOoPI Table



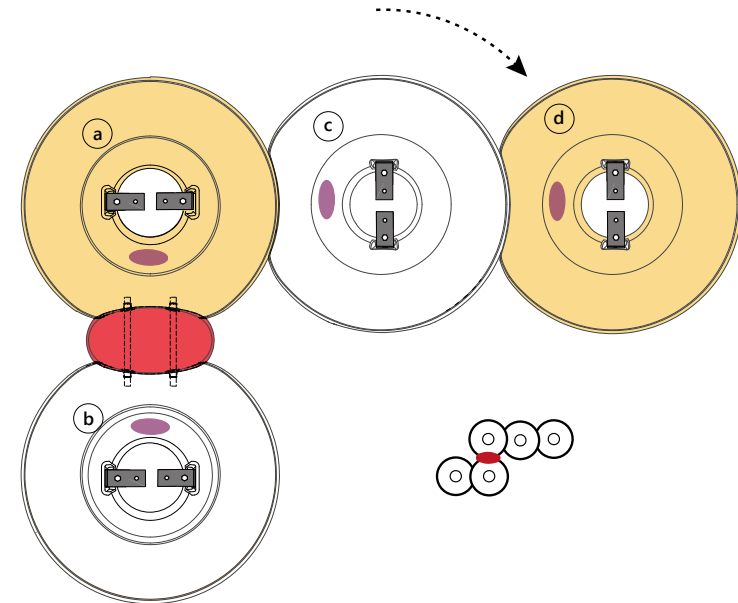
- 1 Drill with an **18 mm** drill bit in the two holes in the front of the Scoopi as shown in the drawing below on both **a and b**.



- 2 Position both Scoopi brackets and mount them as shown on page 3. Insert the Scoopi Table's threaded rods into the pre-drilled holes and mount with the 16 mm nuts supplied through the large hole on the inside of the Scoopi in **both a and b**.



- 3 Place the Scoopi/Scoopis in the desired layout, where the two Scoopis **a + b** are fitted with a Scoopi Table.



See pages 3-4 for fixing it to a firm surface or filling it with sand and how to mount the large plug.
See pages 7 and 10 for mounting the Scoopi Button.





Scoop & Scoopi Seat are not attached together. But placed quite close together. If you choose to fix them in a permanent position, use the F2 brackets for Scoop and one of the variations of brackets for Scoopi. If you want to level Scoopi from it's tilt see page 12.

You can also pour sand in the Scoopi instead see both variations on page 3-4.

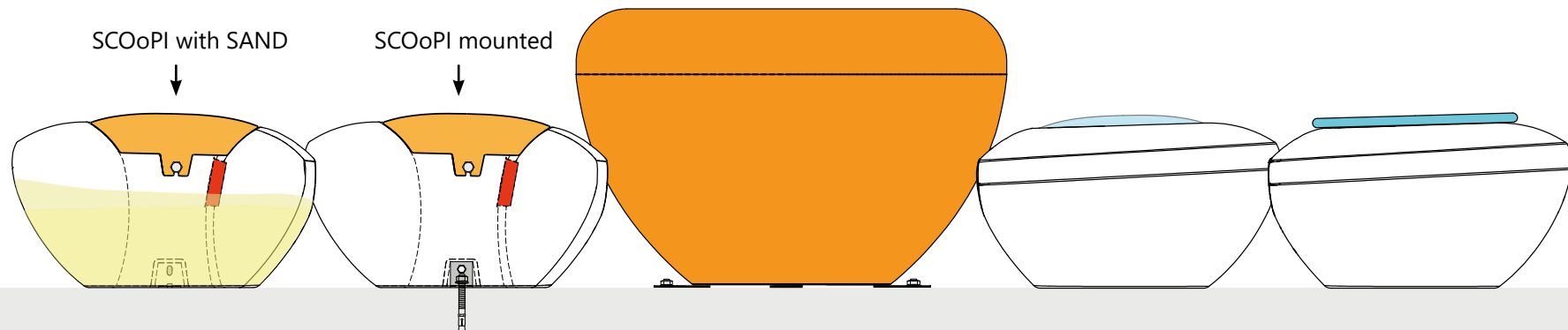
Important: Plug in the bottom of Scoop: Remove before permanently fixing the Scoop in position. To mount the Scoop, see its instructions.

NOTE! The Scoopi Button in rubber must always be mounted on the bracket's threaded rod regardless of whether the Scoopi stands outside or inside/is fixed in a permanent position or not.

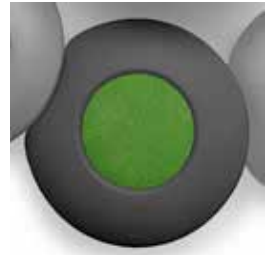
Scoop & Scoopi and Scoopi Button in plastic, require very little maintenance. If necessary, clean them with soap and water or/and with "rubber and plastic cleaner" on any blemishes. They can easily be cleaned with a pressure washer. Scoop and Scoopi Ocean must be washed with a high-pressure cleaner to get properly clean.

Scoopi Button made from rubber, as well as Scoopi Table and Scoopi Table Top, also in rubber, are water permeable and durable. Rubber products can be cleaned and the colours can be freshened up with a shampoo that is suitable for cleaning rubber.

Rubber products can be cleaned with a pressure washer, but carefully and with less pressure so the surface is not damaged or becomes frayed. Chewing gum can often be removed using the above method, or you can also use a freeze spray. Then remove it mechanically. If lights are fitted in Scoop Light, the light chain, etc., must not be cleaned with water. See Scoop assembly instructions for cleaning and mounting this.

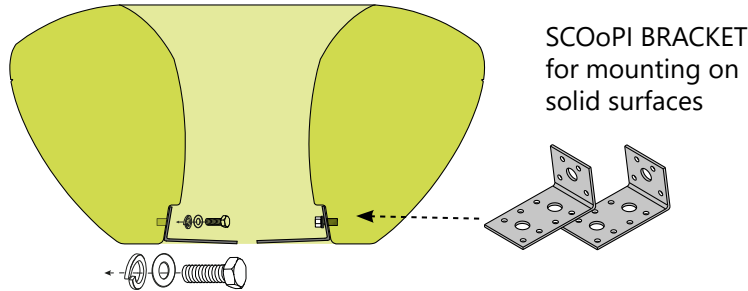


SCOoPI SEAT

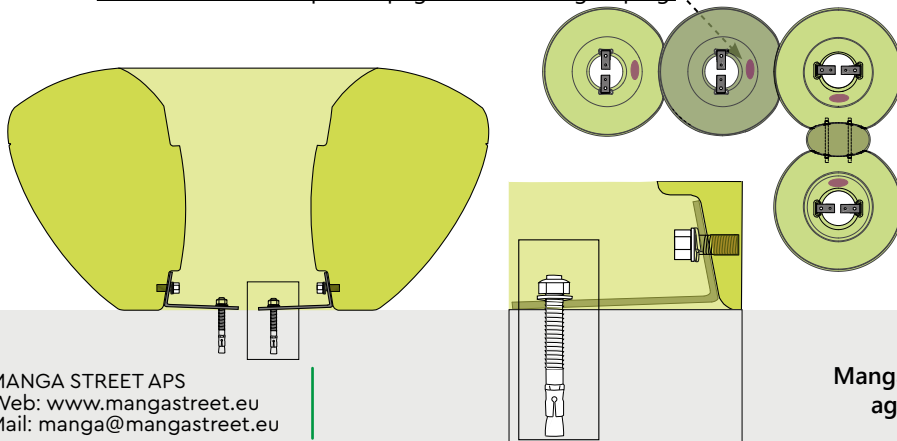


MOUNTING - TABLE TOP/ BUTTON IN EPDM RUBBER

- 1** Place the Scoopi brackets as shown below. The bolts with washers are screwed through the hole in the angle bracket and into the lower bushings in the sides of Scoopi until firm. For detail see page 3. **Mount the brackets on all Scoopis in the selected layout.** See page 1 for inspiration. See also page 3 for more and larger drawings.

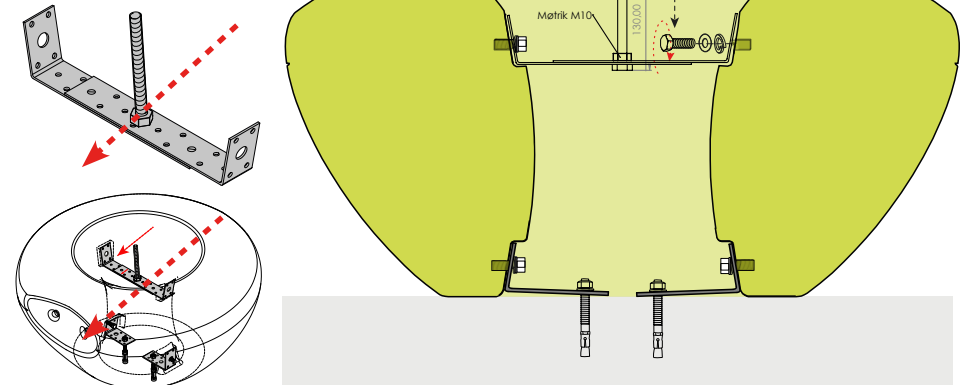


- 2** After the Scoopis are placed in the desired layout (Here is a layout with 4 Scoopis and 1 Scoopi Table: Mark in holes of the bracket. Remove Scoopi. Drill holes in the ground. Place Scoopi again and mount one at a time to the ground with expansion bolts or what is suitable for a hard surface. Place large plug in the hole inside Scoopi. **IMPORTANT: Place the supplied large plug into the hole inside the Scoopi.** See page 4 for drawing of plug:

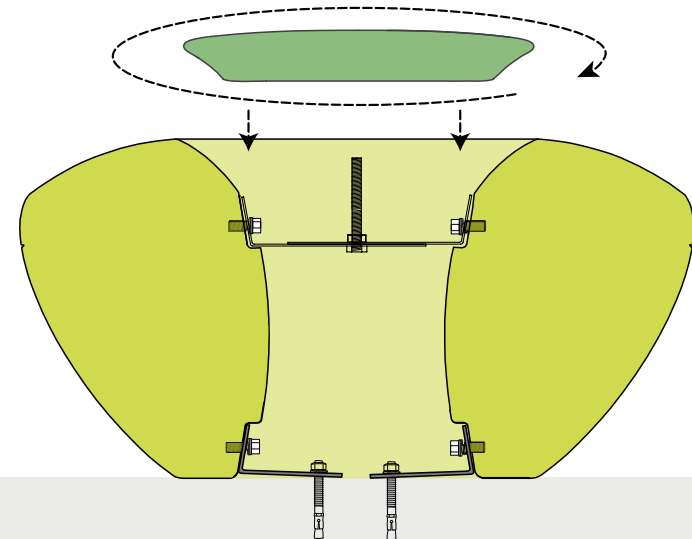


- 3** Fasten the two remaining bolts and 4 washers into the two upper bushings.

BRACKET FOR RUBBER BUTTON The slight TILT on the threaded rod must face towards the curvature on the Scoopi.



- 4** For explanation of this drawing see next page.





MOUNTING - TABLE TOP/ BUTTON IN EPDM RUBBER

4

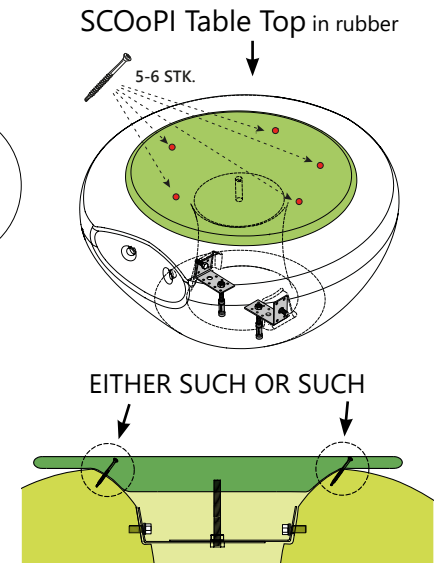
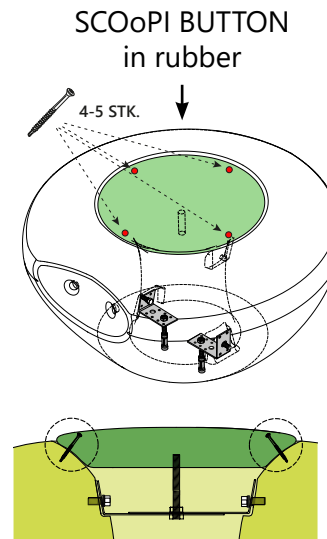
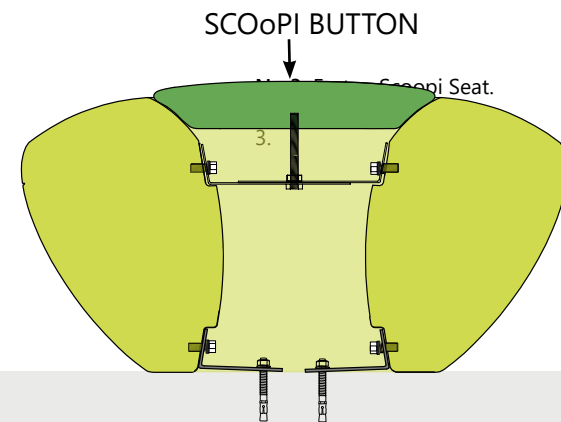
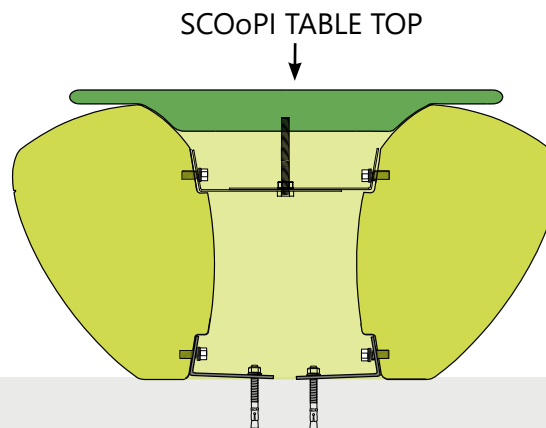
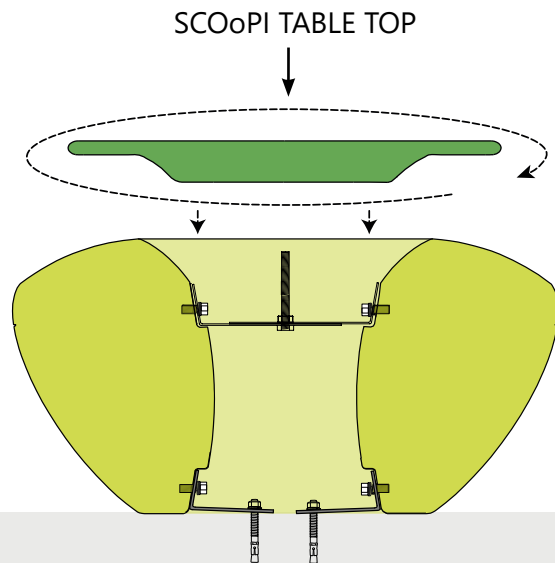
The Scoopi Button & Table Top in EPDM rubber is mounted in the exact same method. Regardless of whether the Scoopi is to be inside or outside the bracket is always to be mounted and attached to the button or the table.

Screw the Scoopi button or the Scoopi Table Top onto the threaded rod until it is tight against the inside of the Scoopi Seat. See below and last drawing on page 10.

To fasten the Scoopi Table Top or the Scoopi Button, screw directly into the rubber and into the Scoopi like shown on the right, so the head of the screw disappears into the rubber or give the upper part of the threaded rod a blob of Loctite adhesive. Screw

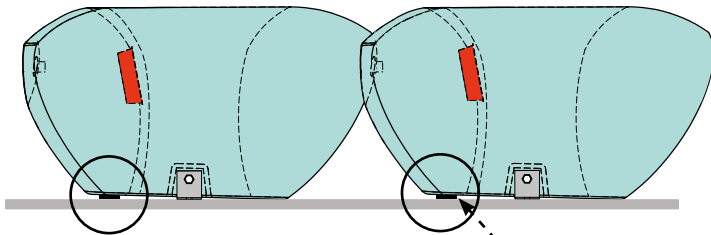
the Scoopi Button/Scoopi Table Top onto the threaded rod until it is firmly against the inside of the Scoopi.

NOTE: Afterwards, it will not be possible to separate the two parts without ddamaging the product. So remember to check that all previous points are done correctly!

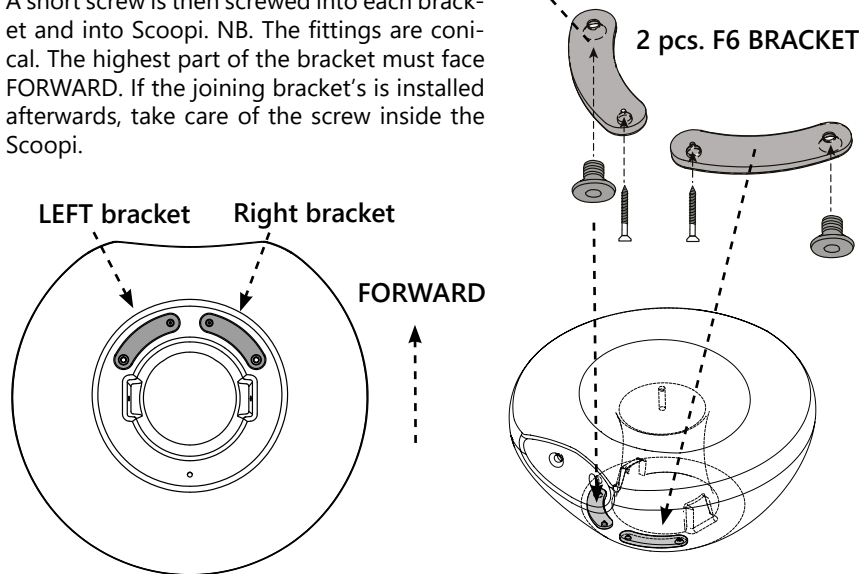


LEVELLING of tilt

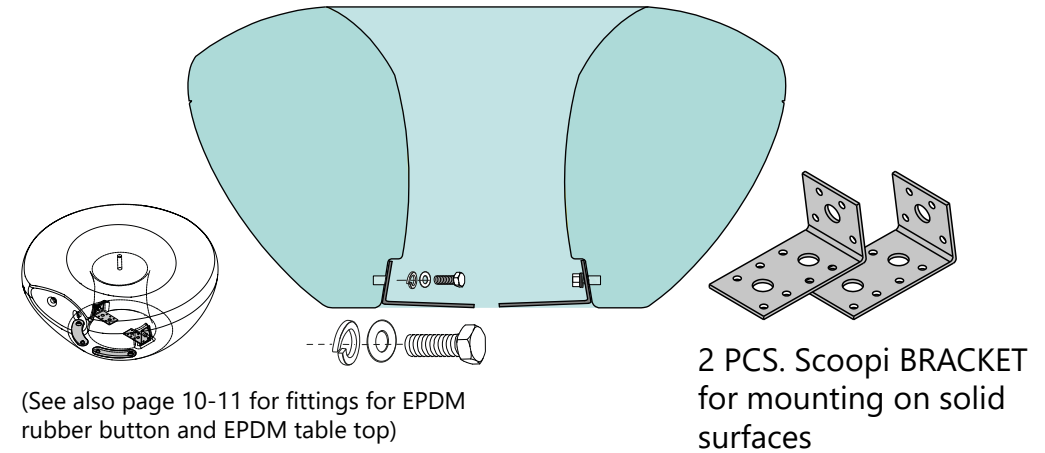
- 1 Scoopi tilts 1.1 degrees. If you don't want that tilt, turn the Scoopi over on a soft surface and then install 2 pcs. F6 Scoopi brackets in the two front bushings with flat-headed screws so that the brackets follow the roundness of the Scoopi (See below).



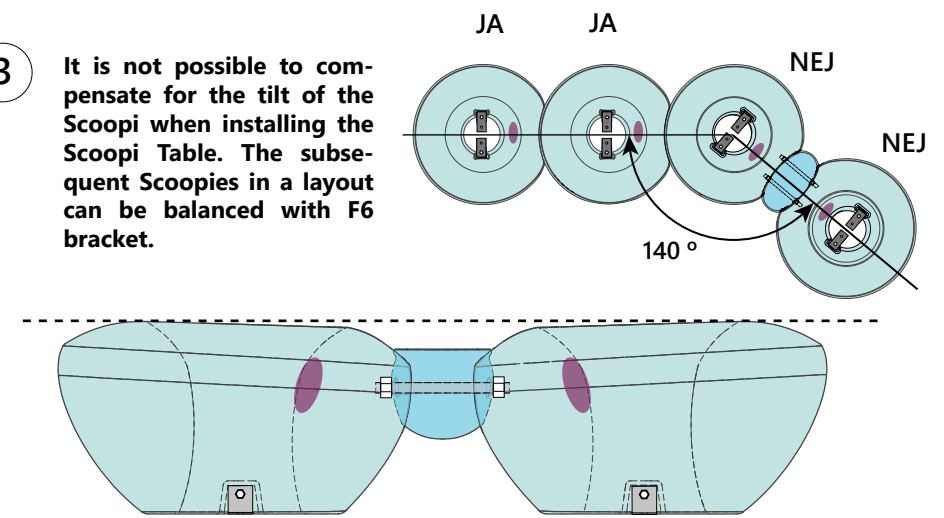
A short screw is then screwed into each bracket and into Scoopi. NB. The fittings are conical. The highest part of the bracket must face FORWARD. If the joining bracket's is installed afterwards, take care of the screw inside the Scoopi.



- 2 Then MOUNT the brackets for solid surface - see pages 3 and 7 for mounting brackets for a solid surface.



- 3 It is not possible to compensate for the tilt of the Scoopi when installing the Scoopi Table. The subsequent Scoopis in a layout can be balanced with F6 bracket.



manga
street



MANGA STREET APS
Web: www.mangastreet.eu
Mail: manga@mangastreet.eu

Natskyggevej 30
3390 Hundested
Denmark

P: +45 2679 2521
VAT No : DK 38350668

Photos : Anna-Lene Riber